

PARTS LIST

[KD-AR760] [KD-G710]

* All printed circuit boards and its assemblies are not available as service parts.

Area suffix

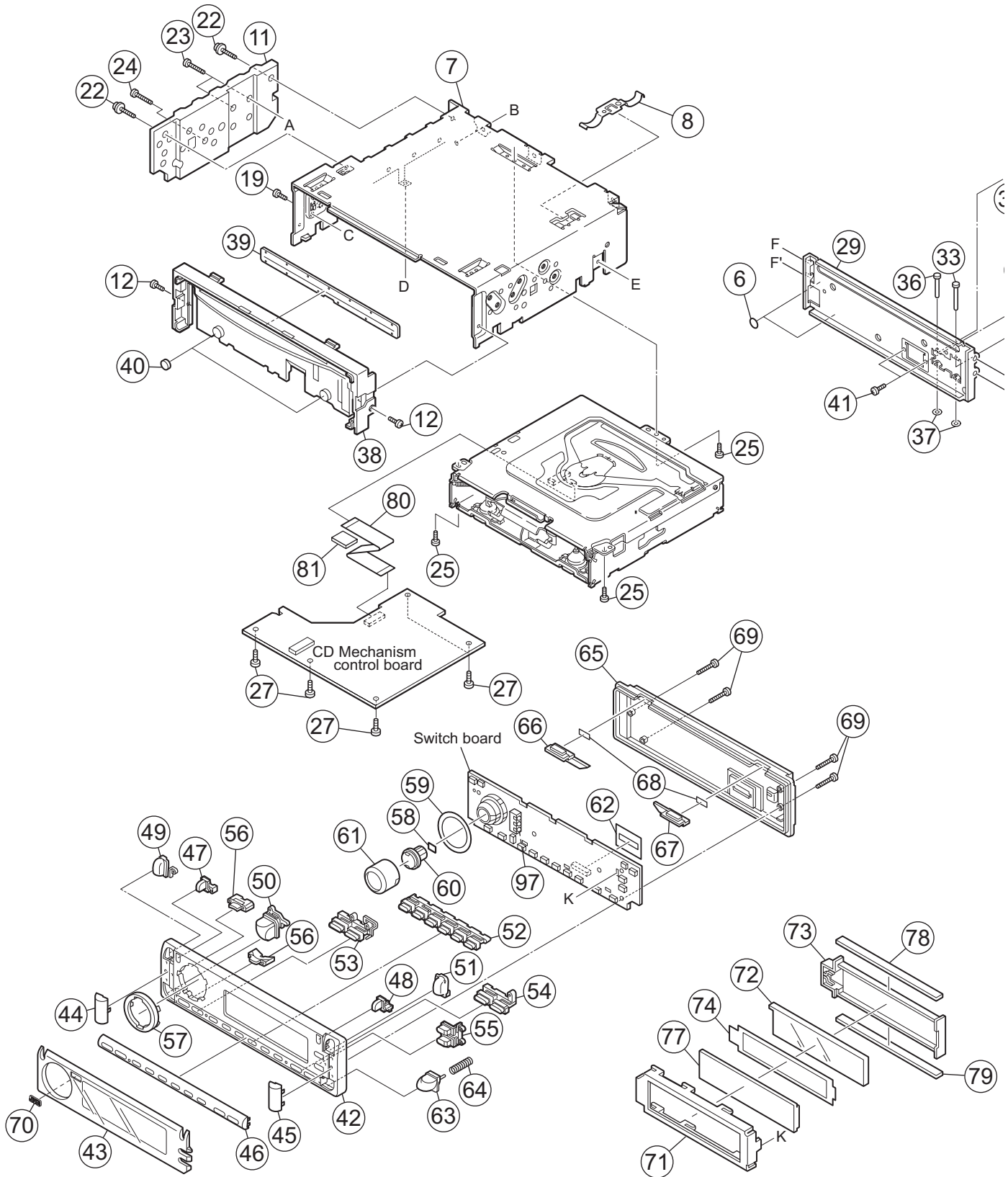
J ----- Northern America

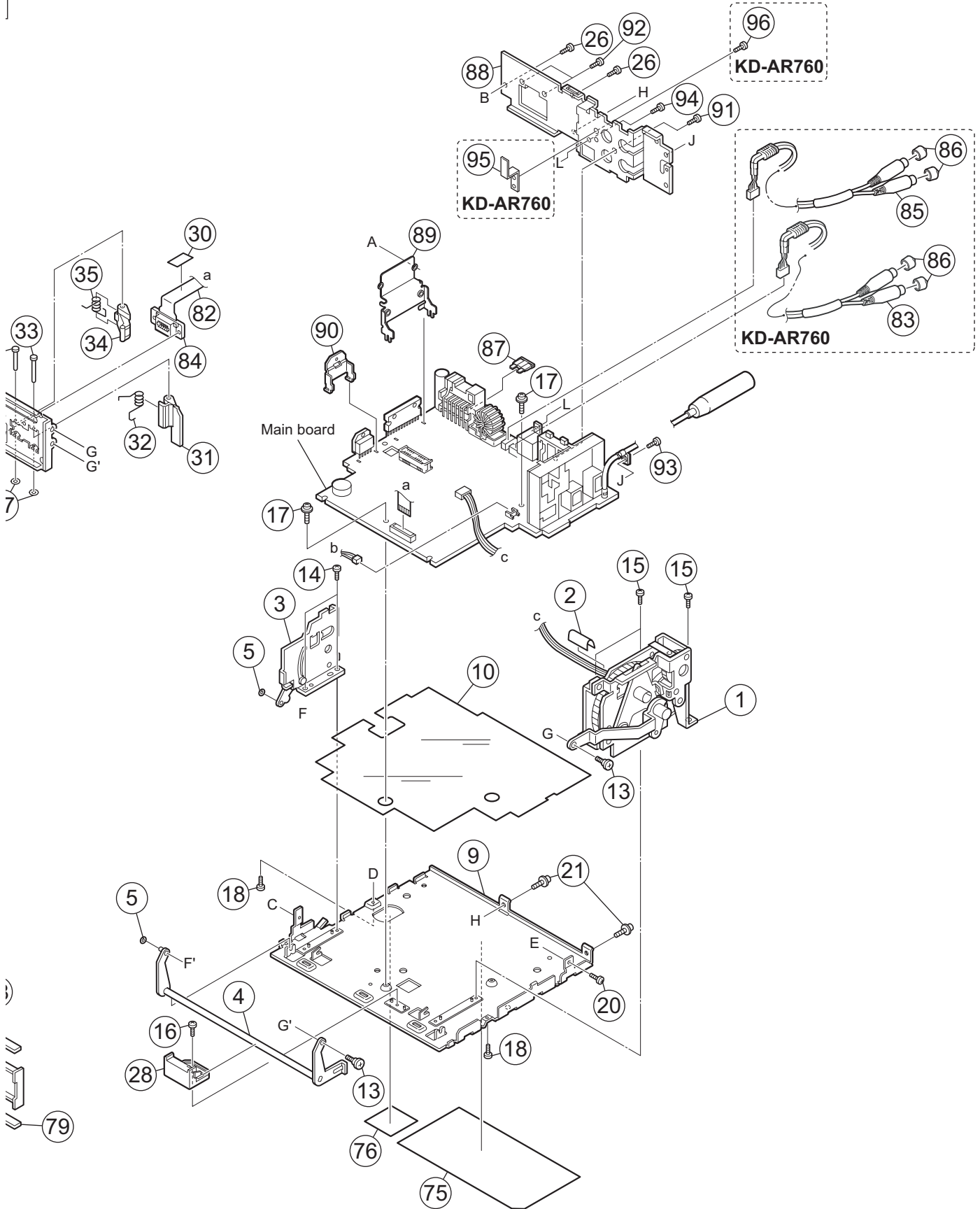
- Contents -

Exploded view of general assembly and parts list (Block No.M1)	3- 2
CD mechanism assembly and parts list (Block No.MB)	3- 6
Electrical parts list (Block No.01~03)(KD-AR760/G710_J).....	3- 8
Electrical parts list (Block No.04~06)(KD-AR760/G710_J2).....	3-14
Packing materials and accessories parts list (Block No.M3)	3-22

Exploded view of general assembly and parts list

Block No. **M 1 M M**





General Assembly

Block No. [M][1][M][M]

Symbol No.	Part No.	Part Name	Description	Local
1	GE20156-001A	GEAR BKT UNIT		
2	FSYH4036-100	SHEET		
3	GE30968-001A	LEVER BKT UNIT		
4	GE30964-001A	LOWER LEVER ASS		
5	WDL215025	WASHER	(x2)	
6	GE40218-017A	SHEET	(x2)	
7	GE10073-004A	TOP CHASSIS		
8	GE40135-001A	EARTH PLATE		
9	GE10074-001A	BOTTOM CHASSIS		
10	GE31204-003A	INSULATOR		
11	GE31206-002A	HEAT SINK		
12	QYSPSP2003ZA	SCREW	M2 x 3mm(x2)	
13	LV42181-002A	SPECIAL SCREW	(x2)	
14	LV40865-002A	MINI SCREW	(x2)	
15	LV40865-002A	MINI SCREW	(x3)	
16	LV40865-002A	MINI SCREW		
17	LV41200-004A	SPECIAL SCREW	(x2)	
18	QYSDST2606ZA	TAP SCREW	M2.6 x 6mm(x2)	
19	QYSDST2604ZA	TAP SCREW	M2.6 x 4mm	
20	QYSDST2604ZA	TAP SCREW	M2.6 x 4mm	
21	LV41200-004A	SPECIAL SCREW	(x2)	
22	GE40235-001A	SCREW	(x2)	
23	QYSDST2610ZA	TAP SCREW	M2.6 x 10mm(x2)	
24	QYSDST2612ZA	TAP SCREW	M2.6 x 12mm	
25	QYSDST2604ZA	TAP SCREW	M2.6 x 4mm(x3)	
26	QYSDST2604ZA	TAP SCREW	M2.6 x 4mm(x2)	
27	QYSDST2004ZA	TAP SCREW	M2 x 4mm(x5)	
28	GE30974-001A	FPC GUIDE		
29	GE30975-001A	FRONT BKT ASSY		
30	FSYH4036-100	SHEET		
31	GE30972-001A	DETACH LEVER		
32	GE40195-002A	T SPRING		
33	GE40192-002A	SHAFT		
34	GE30973-001A	KICK LEVER		
35	GE40194-001A	T SPRING		
36	GE40193-002A	SHAFT		
37	WDL123525	SLIT WASHER	(x2)	
38	GE31202-004A	F. CHASSIS ASSY		
39	GE40156-001A	BLIND		
40	GE40196-002A	ABSORBER	(x2)	
41	QYSPSGU2040MA	TAP SCREW	M2 x 4mm(x2)	
42	GE10084-004A	FRONT PANEL		AR760J,AR760J2
42	GE10084-006A	FRONT PANEL		G710J,G710J2
43	GE31184-013A	FINDER ASSY		AR760J,AR760J2
43	GE31184-012A	FINDER ASSY		G710J,G710J2
44	GE31199-004A	COVER PLATE L		AR760J,AR760J2
44	GE31199-005A	COVER PLATE L		G710J,G710J2
45	GE31218-005A	COVER PLATE R		AR760J,AR760J2
45	GE31218-006A	COVER PLATE R		G710J,G710J2
46	GE31198-006A	COVER PLATE B		AR760J,AR760J2
46	GE31198-007A	COVER PLATE B		G710J,G710J2
47	GE31189-001A	DISPLAY BUTTON		
48	GE31190-001A	ANGLE BUTTON		
49	GE31185-007A	POWER BUTTON		AR760J,AR760J2
49	GE31185-005A	POWER BUTTON		G710J,G710J2
50	GE31186-007A	MODE BUTTON		AR760J,AR760J2
50	GE31186-005A	MODE BUTTON		G710J,G710J2
51	GE31187-007A	EJECT BUTTON		AR760J,AR760J2
51	GE31187-005A	EJECT BUTTON		G710J,G710J2
52	GE20166-004A	PRESET BUTTON		
53	GE31191-006A	D.FUNC BUTTON		
54	GE31192-004A	SEARCH BUTTON		
55	GE31193-001A	UP/DOWN BUTTON		
56	GE31197-001A	RIM LENS	(x2)	
57	GE31196-001A	RIM COVER		
58	FSYH4036-032	SHEET		
59	GE40218-002A	SHEET		
60	GE31195-003A	SEL BUTTON		
61	GE31194-003A	KNOB		
62	LV43889-001A	SW PWB SHEET		
63	GE31188-007A	DETACH BUTTON		AR760J,AR760J2
63	GE31188-005A	DETACH BUTTON		G710J,G710J2
64	GE40202-004A	COMP.SPRING		
65	GE10085-003A	REAR COVER		

△	Symbol No.	Part No.	Part Name	Description	Local
	66	GE40211-004A	REAR LENS (L)		
	67	GE40216-004A	REAR LENS (R)		
	68	GE40218-010A	SHEET	(x2)	
	69	VKZ4777-010	MINI SCREW	(x4)	
	70	GE40204-001A	JVC BADGE		
	71	GE31201-002A	LCD CASE		
	72	GE31036-001A	LCD LENS		
	73	GE31037-001A	LENS CASE		
	74	GE40200-002A	LIGHTING SHEET		
	75	GE31479-002A	NAME PLATE		AR760J
	75	GE31479-003A	NAME PLATE		AR760J2
	75	GE31476-001A	NAME PLATE		G710J
	75	GE31476-002A	NAME PLATE		G710J2
	76	GE40218-011A	SHEET		
	77	QLD0348-001	LCD MODULE		
	78	QNZ0442-001	LCD CONNECTOR		
	79	QNZ0442-001	LCD CONNECTOR		
	80	QUQ105-2207AE	FFC WIRE	22pin 7cm	
	81	VYSH101-009	SPACER		
	82	QAL0587-001	FFC CABLE		
	83	QAM0548-001	L-IN CABLE		AR760J,AR760J2
	84	QNZ0664-003	CAR CONNECTOR		
	85	QAM0547-001	SUB-CABLE		AR760J,AR760J2
	86	VYTA500-001	PIN CAP	(x4)	AR760J,AR760J2
△	87	QMFZ047-150-T	FUSE	15A	
	88	GE31205-013A	REAR BRACKET		
	89	GE40207-001A	POWER IC BKT		
	90	GE40124-002A	REG BRACKET		
	91	QYSDSF2606ZA	TAP SCREW	M2.6 x 6mm	
	92	QYSDSF2606ZA	TAP SCREW	M2.6 x 6mm(x2)	
	93	QYSDST2604ZA	TAP SCREW	M2.6 x 4mm	
	94	QYSDST2606ZA	TAP SCREW	M2.6 x 6mm	
	95	GE40214-001A	WIRE HOLDER		AR760J,AR760J2
	96	QYSDST2604ZA	TAP SCREW	M2.6 x 4mm	AR760J,AR760J2
	97	FSKS3017-002	LED HOLDER		

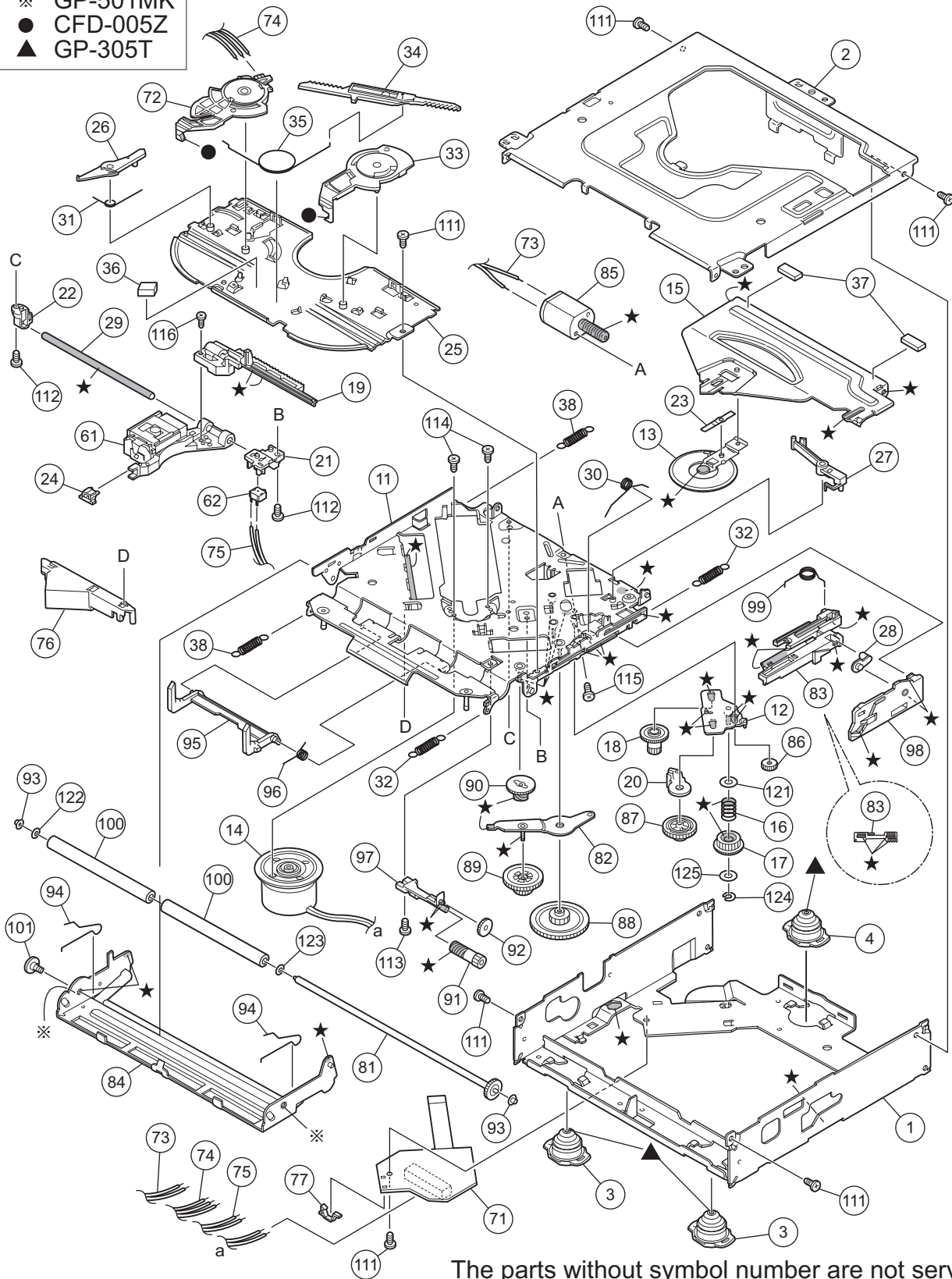
CD mechanism assembly and parts list

TN-2001-1013

Block No. M B M M

Grease

- ★ TNG-87
- ※ GP-501MK
- CFD-005Z
- ▲ GP-305T



The parts without symbol number are not service.

CD mechanism

Block No. [M][B][M][M]

△	Symbol No.	Part No.	Part Name	Description	Local
	1	30320101T	FRAME		
	2	30320102T	TOP COVER		
	3	30320115T	DANPER F	(x2)	
	4	30320116T	DANPER R		
	11	303205505T	CHASSIS RIVET		
	12	303205503T	CHANGE P. RVT A		
	13	303205301T	CLAMPER ASSY		
	14	303205302T	SPINDLE MOTOR A		
	15	30320502T	CLAMPER ARM		
	16	30320503T	CHANGE GEAR SPG		
	17	30320505T	CHANGE GEAR 2		
	18	30320506T	FEED GEAR		
	19	30320507T	FEED RACK		
	20	30320509T	CHANGE LOCK RAR		
	21	30320510T	FEED SW HOLDER		
	22	30320511T	PU SHAFT HOLDER		
	23	30320513T	CLAMPER SUB SPG		
	24	30320514T	FD SUB HOLDER		
	25	30320518T	TOP PLATE		
	26	30320519T	SELECT LOCK ARM		
	27	30320520T	TRIGGER ARM		
	28	30320521T	SLIDE HOOK		
	29	30320522T	PU SHAFT		
	30	30320525T	CLAMPER ARM SPG		
	31	30320526T	SELECT L ARM SP		
	32	30320538T	SUSPENSION SP R	(x2)	
	33	30320529T	SELECT ARM R		
	34	30320530T	LINK PLATE		
	35	30320531T	LINK PLATE SPG		
	36	30320523T	CUSHION F		
	37	30320524T	CUSHION R	(x2)	
	38	30320539T	SUSPENSION SP L	(x2)	
	61	69011614T	PICKUP OPT-725		
	62	64180406T	DET SW ESE22		
	71	303210302T	CONN BOARD ASSY		
	72	30321002T	MODE SW		
	73	30321003T	LOAD MOTOR WIRE		
	74	30321005T	MODE SW WIRE		
	75	30321009T	SL WIRE		
	76	30321011T	WIRE HOLDER		
	77	19501403T	WIRE CLUMPER		
	81	303211301T	ROLLER SHAFT AS		
	82	303211501T	L GEAR PLATE RV		
	83	303211302T	LOADING PLATE A		
	84	303211502T	LOCK ARM RV ASS		
	85	303211303T	L/F MOTOR ASSY		
	86	30321101T	LOADING GEAR 1		
	87	30321102T	LOADING GEAR 2		
	88	30321103T	LOADING GEAR 3		
	89	30321104T	LOADING GEAR 4		
	90	30321105T	LOADING GEAR 5		
	91	30321106T	LOADING GEAR 6		
	92	30321107T	LOADING GEAR 7		
	93	30321149T	ROLLER GUIDE	(x2)	
	94	30321114T	ROLLER GUIDE SP	(x2)	
	95	30321116T	DISC STOPPER AR		
	96	30321117T	DISC ST ARM SPG		
	97	30321118T	LD GEAR BRACKET		
	98	30321125T	L SIDE PLATE		
	99	30321131T	LOAD PLATE SPG		
	100	30321133T	LDG ROLLER	(x2)	
	101	18211223T	COLLAR SCREW		
	111	9P0420031T	SCREW	(x6)	
	112	9P0420041T	TAP.SCREW	(x2)	
	113	9B0320041T	SCREW		
	114	9C0117183T	SCREW	(x2)	
	115	9C0120203T	SCREW		
	116	9C0317503T	SCREW		
	121	9W0130170T	PW 3.5X8X0.3		
	122	9W0513060T	HL WASHER		
	123	9W0710070T	L WASHER		
	124	9E0100152T	E RING		
	125	9W0113020T	PW 2.1X4X0.13		

Electrical parts list

Main board(KD-AR760/G710_J)

Block No. [0][1]

△ Symbol No.	Part No.	Part Name	Description	Local	△ Symbol No.	Part No.	Part Name	Description	Local
					C1	QERF1CM-226Z	E CAPACITOR	22uF 16V M	
					C2	NCB31EK-473X	C CAPACITOR	0.047uF 25V K	
					C3	NCB31EK-103X	C CAPACITOR	0.01uF 25V K	
					C4	QERF1AM-227Z	E CAPACITOR	220uF 10V M	
					C5	QERF1HM-104Z	E CAPACITOR	0.1uF 50V M	
				AR760J	C6	NCB31HK-103X	C CAPACITOR	0.01uF 50V K	
				AR760J	C9	QERF1CM-106Z	E CAPACITOR	10uF 16V M	
IC31	TB2118F-X	PLL IC			C12	NCB31HK-103X	C CAPACITOR	0.01uF 50V K	
IC161	BD3807K	IC			C31	QERF1AM-107Z	E CAPACITOR	100uF 16V M	
IC251	NJM4565M-WE	IC		AR760J	C32	NDC31HJ-470X	C CAPACITOR	47pF 50V J	
IC271	CD4066BPW-X	IC		AR760J	C33	QERF0JM-476Z	E CAPACITOR	47uF 6.3V M	
IC301	TB2906HQ	IC			C34	NCB31EK-473X	C CAPACITOR	0.047uF 25V K	
IC361	NJM2160BV-X	IC			C35	NDC31HJ-100X	C CAPACITOR	10pF 50V J	
IC381	NJM2160BV-X	IC			C36	NDC31HJ-7R0X	C CAPACITOR	7pF 50V J	
IC701	UPD784217AGC299	IC			C37	NDC31HJ-100X	C CAPACITOR	10pF 50V J	
IC702	IC-PST3433U-X	IC			C38	NCB31HK-102X	C CAPACITOR	1000pF 50V K	
IC771	BR24L16F-W-X	IC			C39	NCB31HK-102X	C CAPACITOR	1000pF 50V K	
IC801	HD74HC126FP-X	IC			C40	QERF1CM-106Z	E CAPACITOR	10uF 16V M	
IC901	HA13164A	IC			C41	NCB31EK-473X	C CAPACITOR	0.047uF 25V K	
IC951	BA6956AN	IC			C42	NCB31HK-103X	C CAPACITOR	0.01uF 50V K	
Q1	2SD601A/QR/-X	TRANSISTOR			C43	QFV61HJ-473Z	MF CAPACITOR	0.047uF 50V J	
Q5	2SB709A/QR/-X	TRANSISTOR			C44	NCB31EK-103X	C CAPACITOR	0.01uF 25V K	
Q6	2SB624/4/-X	TRANSISTOR			C45	NCB31HK-272X	C CAPACITOR	2700pF 50V K	
Q7	UN2211-X	TRANSISTOR			C46	NCB31HK-103X	C CAPACITOR	0.01uF 50V K	
Q8	UN2211-X	TRANSISTOR			C47	NCB31HK-103X	C CAPACITOR	0.01uF 50V K	
Q31	UN2211-X	TRANSISTOR			C48	NCB31EK-473X	C CAPACITOR	0.047uF 25V K	
Q241	2SD601A/R/-X	TRANSISTOR			C49	NCB31HK-102X	C CAPACITOR	1000pF 50V K	
Q271	KTD1304-X	TRANSISTOR		AR760J	C50	NDC31HJ-101X	C CAPACITOR	100pF 50V J	
Q272	UN2211-X	TRANSISTOR		AR760J	C51	NDC31HJ-331X	C CAPACITOR	330pF 50V J	
Q273	UN2211-X	TRANSISTOR		AR760J	C81	QERF1HM-105Z	E CAPACITOR	1uF 50V M	
Q274	UN2111-X	TRANSISTOR		AR760J	C82	NCB31HK-103X	C CAPACITOR	0.01uF 50V K	
Q301	UN2211-X	TRANSISTOR		AR760J	C84	NCB31HK-103X	C CAPACITOR	0.01uF 50V K	
Q321	KTD1304-X	TRANSISTOR			C85	NCB31HK-223X	C CAPACITOR	0.022uF 50V K	
Q331	KTD1304-X	TRANSISTOR			C91	QERF1HM-105Z	E CAPACITOR	1uF 50V M	
Q341	KTD1304-X	TRANSISTOR			C92	NCB31HK-103X	C CAPACITOR	0.01uF 50V K	
Q351	KTD1304-X	TRANSISTOR			C94	NCB31HK-103X	C CAPACITOR	0.01uF 50V K	
Q701	UN2211-X	TRANSISTOR			C95	NCB31HK-223X	C CAPACITOR	0.022uF 50V K	
Q702	UN2213-X	DIGI TRANSISTOR			C160	NCB31EK-472X	C CAPACITOR	4700pF 25V K	AR760J
Q703	UN2211-X	TRANSISTOR			C161	QERF1HM-105Z	E CAPACITOR	1uF 50V M	AR760J
Q704	UN2211-X	TRANSISTOR			C162	QERF1HM-105Z	E CAPACITOR	1uF 50V M	AR760J
Q705	UN2211-X	TRANSISTOR			C163	QERF1HM-105Z	E CAPACITOR	1uF 50V M	
Q781	UN2111-X	TRANSISTOR			C164	QTE1H55-225Z	E CAPACITOR	2.2uF 50V	
Q782	KTD1304-X	TRANSISTOR			C165	QERF1HM-105Z	E CAPACITOR	1uF 50V M	
Q784	UN2111-X	TRANSISTOR			C166	NCB31HK-221X	C CAPACITOR	220pF 50V K	
Q881	UN2211-X	TRANSISTOR			C167	NCB31EK-104X	C CAPACITOR	0.1uF 25V K	
Q891	UN2211-X	TRANSISTOR		AR760J	C168	NCB31HK-103X	C CAPACITOR	0.01uF 50V K	
Q951	UN2211-X	TRANSISTOR			C169	NCB31HK-103X	C CAPACITOR	0.01uF 50V K	
Q976	UN2211-X	TRANSISTOR			C170	NCB31EK-472X	C CAPACITOR	4700pF 25V K	AR760J
Q977	2SB709A/QR/-X	TRANSISTOR			C171	QERF1HM-105Z	E CAPACITOR	1uF 50V M	AR760J
D1	MA111-X	SI DIODE			C172	QERF1HM-105Z	E CAPACITOR	1uF 50V M	AR760J
D2	MA111-X	SI DIODE			C173	QERF1HM-105Z	E CAPACITOR	1uF 50V M	
D4	MA152WK-X	SI DIODE			C174	QTE1H55-225Z	E CAPACITOR	2.2uF 50V	
D169	MA152WK-X	SI DIODE			C175	QERF1HM-105Z	E CAPACITOR	1uF 50V M	
D242	MA111-X	SI DIODE			C176	NCB31HK-221X	C CAPACITOR	220pF 50V K	
D243	RB160M-30-X	SB DIODE			C177	NCB31EK-104X	C CAPACITOR	0.1uF 25V K	
D244	MA8051/M/-X	Z DIODE			C178	NCB31EK-103X	C CAPACITOR	0.01uF 25V K	
D272	MA111-X	SI DIODE		AR760J	C179	NCB31EK-103X	C CAPACITOR	0.01uF 25V K	
D273	MA111-X	SI DIODE		AR760J	C180	QERF1CM-106Z	E CAPACITOR	10uF 16V M	
D321	MA111-X	SI DIODE			C181	QERF1CM-107Z	E CAPACITOR	100uF 16V M	
D322	MA111-X	SI DIODE			C182	NCB31EK-104X	C CAPACITOR	0.1uF 25V K	
D712	MA111-X	SI DIODE			C183	NCB31EK-104X	C CAPACITOR	0.1uF 25V K	AR760J
D715	MA111-X	SI DIODE			C184	NCB31EK-123X	C CAPACITOR	0.012uF 25V K	
D716	MA111-X	SI DIODE			C241	QERF1HM-105Z	E CAPACITOR	1uF 50V M	
D781	MA111-X	SI DIODE			C242	QERF1CM-226Z	E CAPACITOR	22uF 16V M	
D782	MA111-X	SI DIODE			C243	NCB31EK-473X	C CAPACITOR	0.047uF 25V K	
D784	MA8110/M/-X	Z DIODE			C245	QERF1HM-224Z	E CAPACITOR	0.22uF 50V M	
D791	SML-310VT/JK/-X	LED			C251	NCB31HK-682X	C CAPACITOR	6800pF 50V K	AR760J
D792	SML-310VT/JK/-X	LED			C252	NBE21AM-106X	TA E CAPACITOR	10uF 10V M	AR760J
D793	SML-310VT/JK/-X	LED			C253	NBE21AM-106X	TA E CAPACITOR	10uF 10V M	AR760J
D891	MA152WA-X	DIODE		AR760J	C254	NCB31EK-823X	C CAPACITOR	0.082uF 25V K	AR760J
D901	1N5401-F64	DIODE			C255	QERF1CM-476Z	E CAPACITOR	47uF 16V M	AR760J
D902	MA111-X	SI DIODE			C256	NCB31HK-103X	C CAPACITOR	0.01uF 50V K	AR760J
D951	MA8039/H/-X	Z DIODE			C261	QERF1HM-225Z	E CAPACITOR	2.2uF 50V M	AR760J
D961	RB160M-30-X	SB DIODE			C262	QERF1HM-225Z	E CAPACITOR	2.2uF 50V M	AR760J
D962	RB160M-30-X	SB DIODE			C272	NDC31HJ-101X	C CAPACITOR	100pF 50V J	AR760J
D971	RB160M-30-X	SB DIODE							
D972	RB160M-30-X	SB DIODE							

△ Symbol No.	Part No.	Part Name	Description	Local	△ Symbol No.	Part No.	Part Name	Description	Local
C273	NDC31HJ-101X	C CAPACITOR	100pF 50V J	AR760J	C908	QERF1AM-227Z	E CAPACITOR	220uF 10V M	
C274	NCB31EK-273X	C CAPACITOR	0.027uF 25V K	AR760J	C909	QERF1AM-227Z	E CAPACITOR	220uF 10V M	
C275	NCB31EK-273X	C CAPACITOR	0.027uF 25V K	AR760J	C910	QERF1CM-476Z	E CAPACITOR	47uF 16V M	
C276	NCB31EK-333X	C CAPACITOR	0.033uF 25V K	AR760J	C911	NCB31EK-104X	C CAPACITOR	0.1uF 25V K	
C277	NCB31EK-562X	C CAPACITOR	5600pF 25V K	AR760J	C912	NCB31HK-103X	C CAPACITOR	0.01uF 50V K	
C278	NCB31EK-123X	C CAPACITOR	0.012uF 25V K	AR760J	C914	QERF1CM-107Z	E CAPACITOR	100uF 16V M	
C279	QERF1CM-476Z	E CAPACITOR	47uF 16V M	AR760J	C915	NCB31EK-104X	C CAPACITOR	0.1uF 25V K	
C301	QFV91HJ-474Z	MF CAPACITOR	0.47uF 50V J		C917	NCB21CK-334X	C CAPACITOR	0.33uF 16V K	
C302	QFV91HJ-474Z	MF CAPACITOR	0.47uF 50V J		C951	QERF1AM-227Z	E CAPACITOR	220uF 10V M	
C303	NDC31HJ-101X	C CAPACITOR	100pF 50V J		C961	NDC31HJ-471X	C CAPACITOR	470pF 50V J	
C304	NDC31HJ-101X	C CAPACITOR	100pF 50V J		C962	NDC31HJ-471X	C CAPACITOR	470pF 50V J	
C311	QFV91HJ-474Z	MF CAPACITOR	0.47uF 50V J		C963	NDC31HJ-471X	C CAPACITOR	470pF 50V J	
C312	QFV91HJ-474Z	MF CAPACITOR	0.47uF 50V J		C964	NDC31HJ-471X	C CAPACITOR	470pF 50V J	
C313	NDC31HJ-101X	C CAPACITOR	100pF 50V J		C965	NDC31HJ-471X	C CAPACITOR	470pF 50V J	
C314	NDC31HJ-101X	C CAPACITOR	100pF 50V J		C966	NDC31HJ-471X	C CAPACITOR	470pF 50V J	
C315	QERF1HM-475Z	E CAPACITOR	4.7uF 50V M		C967	NDC31HJ-471X	C CAPACITOR	470pF 50V J	
C316	QERF1CM-475Z	E CAPACITOR	4.7uF 16V M		C968	NDC31HJ-471X	C CAPACITOR	470pF 50V J	
C317	QERF1CM-476Z	E CAPACITOR	47uF 16V M		C971	NCB31EK-104X	C CAPACITOR	0.1uF 25V K	
C318	QERF1HM-225Z	E CAPACITOR	2.2uF 50V M		R1	NRS181J-120X	MG RESISTOR	12Ω 1/8W J	
C319	NCB31EK-223X	C CAPACITOR	0.022uF 25V K		R2	NRSA63J-473X	MG RESISTOR	47kΩ 1/16W J	
C320	NCB31EK-223X	C CAPACITOR	0.022uF 25V K		R4	NRSA63J-332X	MG RESISTOR	3.3kΩ 1/16W J	
C322	NCB31EK-473X	C CAPACITOR	0.047uF 25V K		R5	NRSA63J-473X	MG RESISTOR	47kΩ 1/16W J	
C323	NCB21EK-472X	C CAPACITOR	4700pF 25V K		R6	NRSA63J-473X	MG RESISTOR	47kΩ 1/16W J	
C324	NCB21EK-472X	C CAPACITOR	4700pF 25V K		R7	NRSA63J-472X	MG RESISTOR	4.7kΩ 1/16W J	
C325	NCB21EK-472X	C CAPACITOR	4700pF 25V K		R8	NRSA63J-103X	MG RESISTOR	10kΩ 1/16W J	
C326	NCB21EK-472X	C CAPACITOR	4700pF 25V K		R9	NRSA63J-101X	MG RESISTOR	100Ω 1/16W J	
C361	QERF1EM-475Z	E CAPACITOR	4.7uF 25V M		R12	NRSA63J-0R0X	MG RESISTOR	0Ω 1/16W J	
C362	NCB31EK-104X	C CAPACITOR	0.1uF 25V K		R31	NRS181J-100X	MG RESISTOR	10Ω 1/8W J	
C363	NBE40JM-476X	TA E CAPACITOR	47uF 6.3V M		R32	NRSA63J-622X	MG RESISTOR	6.2kΩ 1/16W J	
C364	NCB31EK-104X	C CAPACITOR	0.1uF 25V K		R33	NRSA63J-103X	MG RESISTOR	10kΩ 1/16W J	
C365	QERF1EM-475Z	E CAPACITOR	4.7uF 25V M		R34	NRSA63J-222X	MG RESISTOR	2.2kΩ 1/16W J	
C366	QERF1AM-107Z	E CAPACITOR	100uF 10V M		R35	NRSA63J-222X	MG RESISTOR	2.2kΩ 1/16W J	
C367	NBE21CM-105X	TA E CAPACITOR	1uF 16V M		R36	NRSA63J-222X	MG RESISTOR	2.2kΩ 1/16W J	
C368	QERF1HM-105Z	E CAPACITOR	1uF 50V M		R37	NRSA63J-222X	MG RESISTOR	2.2kΩ 1/16W J	
C369	QERF1AM-107Z	E CAPACITOR	100uF 10V M		R38	NRSA63J-101X	MG RESISTOR	100Ω 1/16W J	
C370	NCB31HK-152X	C CAPACITOR	1500pF 50V K		R39	NRSA63J-0R0X	MG RESISTOR	0Ω 1/16W J	
C371	NCB31HK-152X	C CAPACITOR	1500pF 50V K		R40	NRSA63J-393X	MG RESISTOR	39kΩ 1/16W J	
C381	QERF1EM-475Z	E CAPACITOR	4.7uF 25V M		R41	NRSA63J-103X	MG RESISTOR	10kΩ 1/16W J	
C382	NCB31EK-104X	C CAPACITOR	0.1uF 25V K		R42	NRS181J-100X	MG RESISTOR	10Ω 1/8W J	
C383	QERF1CM-476Z	E CAPACITOR	47uF 16V M		R43	NRSA63J-471X	MG RESISTOR	470Ω 1/16W J	
C384	NCB31EK-104X	C CAPACITOR	0.1uF 25V K		R44	NRSA63J-221X	MG RESISTOR	220Ω 1/16W J	
C385	QERF1EM-475Z	E CAPACITOR	4.7uF 25V M		R60	NRSA63J-273X	MG RESISTOR	27kΩ 1/16W J	
C386	QERF1AM-107Z	E CAPACITOR	100uF 10V M		R81	NRSA63J-122X	MG RESISTOR	1.2kΩ 1/16W J	
C387	QERF1HM-105Z	E CAPACITOR	1uF 50V M		R82	NRSA63J-222X	MG RESISTOR	2.2kΩ 1/16W J	
C388	QERF1HM-105Z	E CAPACITOR	1uF 50V M		R91	NRSA63J-122X	MG RESISTOR	1.2kΩ 1/16W J	
C389	QERF1AM-107Z	E CAPACITOR	100uF 10V M		R92	NRSA63J-222X	MG RESISTOR	2.2kΩ 1/16W J	
C391	NCB31HK-152X	C CAPACITOR	1500pF 50V K		R161	NRSA63J-222X	MG RESISTOR	2.2kΩ 1/16W J	
C392	NCB31HK-152X	C CAPACITOR	1500pF 50V K		R162	NRSA63J-222X	MG RESISTOR	2.2kΩ 1/16W J	
C701	NDC31HJ-220X	C CAPACITOR	22pF 50V J		R163	NRSA63J-333X	MG RESISTOR	33kΩ 1/16W J	
C702	NDC31HJ-270X	C CAPACITOR	27pF 50V J		R164	NRSA63J-0R0X	MG RESISTOR	0Ω 1/16W J	
C703	NDC31HJ-270X	C CAPACITOR	27pF 50V J		R165	NRSA63J-472X	MG RESISTOR	4.7kΩ 1/16W J	
C704	NDC31HJ-8R0X	C CAPACITOR	8pF 50V J		R166	NRSA63J-473X	MG RESISTOR	47kΩ 1/16W J	
C705	NCB31EK-104X	C CAPACITOR	0.1uF 25V K		R167	NRSA63J-472X	MG RESISTOR	4.7kΩ 1/16W J	
C707	NCB31EK-473X	C CAPACITOR	0.047uF 25V K		R168	NRSA63J-473X	MG RESISTOR	47kΩ 1/16W J	
C708	NCB31EK-473X	C CAPACITOR	0.047uF 25V K		R169	NRSA63J-224X	MG RESISTOR	220kΩ 1/16W J	
C709	NCB31HK-103X	C CAPACITOR	0.01uF 50V K		R170	NRSA63J-224X	MG RESISTOR	220kΩ 1/16W J	
C710	QERF0JM-476Z	E CAPACITOR	47uF 6.3V M		R196	NRSA63J-473X	MG RESISTOR	47kΩ 1/16W J	AR760J
C716	NCB31EK-104X	C CAPACITOR	0.1uF 25V K		R197	NRSA63J-473X	MG RESISTOR	47kΩ 1/16W J	AR760J
C718	NCB31EK-104X	C CAPACITOR	0.1uF 25V K		R198	NRSA63J-471X	MG RESISTOR	470Ω 1/16W J	AR760J
C719	NCB31EK-104X	C CAPACITOR	0.1uF 25V K		R241	NRSA63J-473X	MG RESISTOR	47kΩ 1/16W J	
C720	NCB31HK-103X	C CAPACITOR	0.01uF 50V K		R242	NRSA63J-223X	MG RESISTOR	22kΩ 1/16W J	
C721	NCB31HK-103X	C CAPACITOR	0.01uF 50V K		R243	NRSA63J-184X	MG RESISTOR	180kΩ 1/16W J	
C722	NCB31HK-103X	C CAPACITOR	0.01uF 50V K		R244	NRSA63J-123X	MG RESISTOR	12kΩ 1/16W J	
C728	NBE40JM-476X	TA E CAPACITOR	47uF 6.3V M		R245	NRSA63J-470X	MG RESISTOR	47Ω 1/16W J	
C771	NCB31EK-473X	C CAPACITOR	0.047uF 25V K		R246	NRSA63J-102X	MG RESISTOR	1kΩ 1/16W J	
C781	QERF0JM-476Z	E CAPACITOR	47uF 6.3V M		R247	NRSA63J-124X	MG RESISTOR	120kΩ 1/16W J	
C782	NCB31EK-823X	C CAPACITOR	0.082uF 25V K		R248	NRSA63J-221X	MG RESISTOR	220Ω 1/16W J	
C784	QERF1CM-107Z	E CAPACITOR	100uF 16V M		R251	NRSA63J-104X	MG RESISTOR	100kΩ 1/16W J	AR760J
C801	NCB31EK-473X	C CAPACITOR	0.047uF 25V K		R252	NRSA63J-473X	MG RESISTOR	47kΩ 1/16W J	AR760J
C881	QERF1CM-226Z	E CAPACITOR	22uF 16V M		R253	NRSA63J-104X	MG RESISTOR	100kΩ 1/16W J	AR760J
C891	NCB31EK-104X	C CAPACITOR	0.1uF 25V K	AR760J	R255	NRSA63J-0R0X	MG RESISTOR	0Ω 1/16W J	AR760J
C901	QEZO723-338	E CAPACITOR	3300uF		R256	NRSA63J-104X	MG RESISTOR	100kΩ 1/16W J	AR760J
C902	QERF1HM-225Z	E CAPACITOR	2.2uF 50V M		R257	NRSA63J-562X	MG RESISTOR	5.6kΩ 1/16W J	AR760J
C903	QERF1CM-476Z	E CAPACITOR	47uF 16V M		R258	NRSA63J-153X	MG RESISTOR	15kΩ 1/16W J	AR760J
C904	QERF1CM-106Z	E CAPACITOR	10uF 16V M		R259	NRSA63J-103X	MG RESISTOR	10kΩ 1/16W J	AR760J
C905	QERF1CM-476Z	E CAPACITOR	47uF 16V M		R260	NRSA63J-473X	MG RESISTOR	47kΩ 1/16W J	AR760J
C906	NCB31HK-103X	C CAPACITOR	0.01uF 50V K		R261	NRSA63J-821X	MG RESISTOR	820Ω 1/16W J	AR760J
C907	QERF1AM-227Z	E CAPACITOR	220uF 10V M						

△ Symbol No.	Part No.	Part Name	Description	Local	△ Symbol No.	Part No.	Part Name	Description	Local
R271	NRSA63J-222X	MG RESISTOR	2.2kΩ 1/16W J	AR760J	R749	NRSA63J-472X	MG RESISTOR	4.7kΩ 1/16W J	
R272	NRSA63J-101X	MG RESISTOR	100Ω 1/16W J	AR760J	R750	NRSA63J-103X	MG RESISTOR	10kΩ 1/16W J	
R273	NRSA63J-101X	MG RESISTOR	100Ω 1/16W J	AR760J	R751	NRSA63J-103X	MG RESISTOR	10kΩ 1/16W J	
R274	NRSA63J-473X	MG RESISTOR	47kΩ 1/16W J	AR760J	R752	NRSA63J-0R0X	MG RESISTOR	0Ω 1/16W J	
R275	NRSA63J-105X	MG RESISTOR	1MΩ 1/16W J	AR760J	R753	NRSA63J-473X	MG RESISTOR	47kΩ 1/16W J	
R276	NRSA63J-105X	MG RESISTOR	1MΩ 1/16W J	AR760J	R754	NRSA63J-821X	MG RESISTOR	820Ω 1/16W J	
R277	NRSA63J-105X	MG RESISTOR	1MΩ 1/16W J	AR760J	R755	NRSA63J-106X	MG RESISTOR	10MΩ 1/16W J	
R278	NRSA63J-105X	MG RESISTOR	1MΩ 1/16W J	AR760J	R756	NRSA63J-473X	MG RESISTOR	47kΩ 1/16W J	
R279	NRSA63J-473X	MG RESISTOR	47kΩ 1/16W J	AR760J	R757	NRSA63J-222X	MG RESISTOR	2.2kΩ 1/16W J	
R280	NRSA63J-103X	MG RESISTOR	10kΩ 1/16W J	AR760J	R758	NRSA63J-473X	MG RESISTOR	47kΩ 1/16W J	
R301	NRSA63J-513X	MG RESISTOR	51kΩ 1/16W J		R759	NRSA63J-473X	MG RESISTOR	47kΩ 1/16W J	
R302	NRSA63J-513X	MG RESISTOR	51kΩ 1/16W J		R760	NRSA63J-473X	MG RESISTOR	47kΩ 1/16W J	G710J
R305	NRSA63J-512X	MG RESISTOR	5.1kΩ 1/16W J	AR760J	R761	NRSA63J-0R0X	MG RESISTOR	0Ω 1/16W J	
R306	NRSA63J-103X	MG RESISTOR	10kΩ 1/16W J	AR760J	R762	NRSA63J-0R0X	MG RESISTOR	0Ω 1/16W J	
R306	NRSA63J-102X	MG RESISTOR	1kΩ 1/16W J	G710J	R763	NRSA63J-103X	MG RESISTOR	10kΩ 1/16W J	
R311	NRSA63J-513X	MG RESISTOR	51kΩ 1/16W J		R764	NRSA63J-103X	MG RESISTOR	10kΩ 1/16W J	
R312	NRSA63J-513X	MG RESISTOR	51kΩ 1/16W J		R765	NRSA63J-103X	MG RESISTOR	10kΩ 1/16W J	
R321	NRSA63J-222X	MG RESISTOR	2.2kΩ 1/16W J		R769	NRSA63J-473X	MG RESISTOR	47kΩ 1/16W J	AR760J
R322	NRSA63J-821X	MG RESISTOR	820Ω 1/16W J		R770	NRSA63J-473X	MG RESISTOR	47kΩ 1/16W J	G710J
R323	NRSA63J-101X	MG RESISTOR	100Ω 1/16W J		R771	NRSA63J-271X	MG RESISTOR	270Ω 1/16W J	
R331	NRSA63J-222X	MG RESISTOR	2.2kΩ 1/16W J		R772	NRSA63J-271X	MG RESISTOR	270Ω 1/16W J	
R332	NRSA63J-821X	MG RESISTOR	820Ω 1/16W J		R773	NRSA63J-224X	MG RESISTOR	220kΩ 1/16W J	
R333	NRSA63J-101X	MG RESISTOR	100Ω 1/16W J		R774	NRSA63J-224X	MG RESISTOR	220kΩ 1/16W J	
R341	NRSA63J-222X	MG RESISTOR	2.2kΩ 1/16W J		R775	NRSA63J-224X	MG RESISTOR	220kΩ 1/16W J	
R342	NRSA63J-821X	MG RESISTOR	820Ω 1/16W J		R776	NRSA63J-333X	MG RESISTOR	33kΩ 1/16W J	AR760J
R343	NRSA63J-101X	MG RESISTOR	100Ω 1/16W J		R780	NRSA63J-473X	MG RESISTOR	47kΩ 1/16W J	
R351	NRSA63J-222X	MG RESISTOR	2.2kΩ 1/16W J		R781	NRSA63J-473X	MG RESISTOR	47kΩ 1/16W J	
R352	NRSA63J-821X	MG RESISTOR	820Ω 1/16W J		R783	NRSA63J-511X	MG RESISTOR	510Ω 1/16W J	
R353	NRSA63J-101X	MG RESISTOR	100Ω 1/16W J		R785	NRSA63J-103X	MG RESISTOR	10kΩ 1/16W J	
R361	NRSA63J-333X	MG RESISTOR	33kΩ 1/16W J		R787	NRSA63J-103X	MG RESISTOR	10kΩ 1/16W J	
R362	NRSA63J-223X	MG RESISTOR	22kΩ 1/16W J		R791	NRSA63J-473X	MG RESISTOR	47kΩ 1/16W J	
R363	NRSA63J-223X	MG RESISTOR	22kΩ 1/16W J		R792	NRS181J-0R0X	MG RESISTOR	0Ω 1/8W J	
R365	NRSA63J-333X	MG RESISTOR	33kΩ 1/16W J		R793	NRSA02J-511X	MG RESISTOR	510Ω 1/10W J	
R366	NRSA63J-303X	MG RESISTOR	30kΩ 1/16W J		R794	NRSA02J-511X	MG RESISTOR	510Ω 1/10W J	
R367	NRSA63J-303X	MG RESISTOR	30kΩ 1/16W J		R795	NRSA63J-473X	MG RESISTOR	47kΩ 1/16W J	G710J
R368	NRSA63J-473X	MG RESISTOR	47kΩ 1/16W J		R801	NRSA63J-473X	MG RESISTOR	47kΩ 1/16W J	
R369	NRSA63J-473X	MG RESISTOR	47kΩ 1/16W J		R802	NRSA63J-473X	MG RESISTOR	47kΩ 1/16W J	
R370	NRSA63J-0R0X	MG RESISTOR	0Ω 1/16W J		R803	NRSA63J-101X	MG RESISTOR	100Ω 1/16W J	
R371	NRSA63J-0R0X	MG RESISTOR	0Ω 1/16W J		R804	NRSA63J-223X	MG RESISTOR	22kΩ 1/16W J	
R381	NRSA63J-333X	MG RESISTOR	33kΩ 1/16W J		R805	NRSA63J-104X	MG RESISTOR	100kΩ 1/16W J	
R382	NRSA63J-223X	MG RESISTOR	22kΩ 1/16W J		R806	NRSA63J-103X	MG RESISTOR	10kΩ 1/16W J	
R383	NRSA63J-223X	MG RESISTOR	22kΩ 1/16W J		R807	NRSA63J-104X	MG RESISTOR	100kΩ 1/16W J	
R385	NRSA63J-333X	MG RESISTOR	33kΩ 1/16W J		R808	NRSA63J-331X	MG RESISTOR	330Ω 1/16W J	
R386	NRSA63J-303X	MG RESISTOR	30kΩ 1/16W J		R809	NRSA63J-223X	MG RESISTOR	22kΩ 1/16W J	
R387	NRSA63J-303X	MG RESISTOR	30kΩ 1/16W J		R810	NRSA63J-101X	MG RESISTOR	100Ω 1/16W J	
R388	NRSA63J-473X	MG RESISTOR	47kΩ 1/16W J		R881	NRSA63J-473X	MG RESISTOR	47kΩ 1/16W J	
R389	NRSA63J-473X	MG RESISTOR	47kΩ 1/16W J		R882	NRSA63J-472X	MG RESISTOR	4.7kΩ 1/16W J	
R390	NRSA63J-0R0X	MG RESISTOR	0Ω 1/16W J		R891	NRSA63J-102X	MG RESISTOR	1kΩ 1/16W J	AR760J
R391	NRSA63J-0R0X	MG RESISTOR	0Ω 1/16W J		R892	NRSA63J-473X	MG RESISTOR	47kΩ 1/16W J	AR760J
R701	NRSA63J-473X	MG RESISTOR	47kΩ 1/16W J		R901	QRE142J-102X	C RESISTOR	1kΩ 1/4W J	
R711	NRSA63J-473X	MG RESISTOR	47kΩ 1/16W J		R902	NRSA02J-912X	MG RESISTOR	9.1kΩ 1/10W J	
R712	NRSA63J-101X	MG RESISTOR	100Ω 1/16W J		R903	NRSA02J-472X	MG RESISTOR	4.7kΩ 1/10W J	
R714	NRSA63J-103X	MG RESISTOR	10kΩ 1/16W J		R951	NRSA63J-102X	MG RESISTOR	1kΩ 1/16W J	
R715	NRSA63J-473X	MG RESISTOR	47kΩ 1/16W J		R971	NRS181J-222X	MG RESISTOR	2.2kΩ 1/8W J	
R716	NRSA63J-473X	MG RESISTOR	47kΩ 1/16W J		R972	NRS181J-222X	MG RESISTOR	2.2kΩ 1/8W J	
R719	NRSA63J-0R0X	MG RESISTOR	0Ω 1/16W J		R976	NRSA02J-273X	MG RESISTOR	27kΩ 1/10W J	
R721	NRSA63J-102X	MG RESISTOR	1kΩ 1/16W J		R977	NRSA02J-123X	MG RESISTOR	12kΩ 1/10W J	
R722	NRSA63J-103X	MG RESISTOR	10kΩ 1/16W J						
R723	NRSA63J-103X	MG RESISTOR	10kΩ 1/16W J		L1	NQL114M-4R7X	COIL	4.7uH M	
R725	NRSA63J-103X	MG RESISTOR	10kΩ 1/16W J		L701	NQL114M-4R7X	COIL	4.7uH M	
R726	NRSA63J-103X	MG RESISTOR	10kΩ 1/16W J		L901	QQR1378-002	COIL		
R728	NRSA63J-103X	MG RESISTOR	10kΩ 1/16W J						
R729	NRSA63J-473X	MG RESISTOR	47kΩ 1/16W J		CN101	QGB2027M4-22S	CONNECTOR	B-B (1-22)	
R732	NRSA63J-103X	MG RESISTOR	10kΩ 1/16W J		CN161	QGA2006C1-04	CONNECTOR	W-B (1-4)	AR760J
R734	NRSA63J-222X	MG RESISTOR	2.2kΩ 1/16W J		CN251	QGA2501C1-03	CONNECTOR	W-B (1-3)	AR760J
R735	NRSA63J-222X	MG RESISTOR	2.2kΩ 1/16W J		CN702	QGF1041C3-16W	CONNECTOR	FFC/FPIC (1-16)	
R736	NRSA63J-222X	MG RESISTOR	2.2kΩ 1/16W J		CN901	QNZ0611-001	16P CONNECTOR		
R737	NRSA63J-0R0X	MG RESISTOR	0Ω 1/16W J		CN951	QGA2501F1-02	CONNECTOR	W-B (1-2)	
R738	NRSA63J-472X	MG RESISTOR	4.7kΩ 1/16W J		CN952	QJB005-040909	SIN ID C-B WIRE		
R739	NRSA63J-472X	MG RESISTOR	4.7kΩ 1/16W J		J1	QAM0556-001	ANT CABLE		
R740	NRSA63J-472X	MG RESISTOR	4.7kΩ 1/16W J		J321	QNN0490-001	PIN JACK		AR760J
R741	NRSA63J-103X	MG RESISTOR	10kΩ 1/16W J		J321	QNN0489-001	PIN JACK		G710J
R743	NRSA63J-103X	MG RESISTOR	10kΩ 1/16W J		J801	QNZ0095-001	CONNECTOR		
R744	NRSA63J-103X	MG RESISTOR	10kΩ 1/16W J		PP1	QZW0010-001	STYLE PIN		
R745	NRSA63J-103X	MG RESISTOR	10kΩ 1/16W J		PP5	QZW0010-001	STYLE PIN		AR760J
R746	NRSA63J-103X	MG RESISTOR	10kΩ 1/16W J		TU1	QAU0312-001	TUNER PACK		
R747	NRSA63J-472X	MG RESISTOR	4.7kΩ 1/16W J		X31	QAX0616-001Z	CRYSTAL	10.250MHz	
R748	NRSA63J-472X	MG RESISTOR	4.7kΩ 1/16W J		X701	QAX0617-001Z	CRYSTAL	12.500MHz	

△ Symbol No.	Part No.	Part Name	Description	Local	△ Symbol No.	Part No.	Part Name	Description	Local
X702	QAX0401-001	CRYSTAL	32.768KHz		R610	NRSA63J-392X	MG RESISTOR	3.9kΩ 1/16W J	
Switch board(KD-AR760/G710_J) Block No. [0][2]					R611	NRSA63J-103X	MG RESISTOR	10kΩ 1/16W J	
△ Symbol No.	Part No.	Part Name	Description	Local	R612	NRSA63J-821X	MG RESISTOR	820Ω 1/16W J	
IC601	PT6578LQ-L	IC			R613	NRSA63J-821X	MG RESISTOR	820Ω 1/16W J	
IC602	RPM7338-V4	RM.RECEIVER			R614	NRSA63J-122X	MG RESISTOR	1.2kΩ 1/16W J	
Q641	2SB624/4/-X	TRANSISTOR			R615	NRSA63J-182X	MG RESISTOR	1.8kΩ 1/16W J	
Q643	UN2211-X	TRANSISTOR			R622	NRSA63J-0R0X	MG RESISTOR	0Ω 1/16W J	G710J
D601	SML-310LT/MN/-X	LED			R624	NRSA02J-821X	MG RESISTOR	820Ω 1/10W J	
D602	SML-310VT/JK/-X	LED			R625	NRSA02J-561X	MG RESISTOR	560Ω 1/10W J	
D603	SML-310VT/JK/-X	LED			R628	NRSA02J-821X	MG RESISTOR	820Ω 1/10W J	
D604	SML-310VT/JK/-X	LED			R630	NRSA02J-561X	MG RESISTOR	560Ω 1/10W J	
D605	SML-310VT/JK/-X	LED			R632	NRSA02J-561X	MG RESISTOR	560Ω 1/10W J	
D606	SML-310VT/JK/-X	LED			R633	NRSA02J-561X	MG RESISTOR	560Ω 1/10W J	
D607	SML-310VT/JK/-X	LED			R636	NRSA02J-561X	MG RESISTOR	560Ω 1/10W J	
D608	SML-310VT/JK/-X	LED			R638	NRSA02J-561X	MG RESISTOR	560Ω 1/10W J	
D609	SML-310VT/JK/-X	LED			R639	NRSA02J-821X	MG RESISTOR	820Ω 1/10W J	
D610	SML-310VT/JK/-X	LED			R642	NRSA02J-821X	MG RESISTOR	820Ω 1/10W J	
D611	SML-310VT/JK/-X	LED			R644	NRSA02J-561X	MG RESISTOR	560Ω 1/10W J	
D612	SML-310VT/JK/-X	LED			R645	NRSA02J-821X	MG RESISTOR	820Ω 1/10W J	
D613	SML-310VT/JK/-X	LED			R647	NRSA02J-561X	MG RESISTOR	560Ω 1/10W J	
D614	SML-310VT/JK/-X	LED			R649	NRSA02J-561X	MG RESISTOR	560Ω 1/10W J	
D616	SML-310LT/MN/-X	LED		AR760J	R655	NRS181J-431X	MG RESISTOR	430Ω 1/8W J	
D616	SML-310VT/JK/-X	LED		G710J	R656	NRS181J-431X	MG RESISTOR	430Ω 1/8W J	
D617	SML-310VT/JK/-X	LED			R657	NRS181J-431X	MG RESISTOR	430Ω 1/8W J	
D618	SML-310VT/JK/-X	LED			R658	NRS181J-471X	MG RESISTOR	470Ω 1/8W J	
D620	SML-310LT/MN/-X	LED		AR760J	R659	NRS181J-473X	MG RESISTOR	47kΩ 1/8W J	
D620	SML-310VT/JK/-X	LED		G710J	R660	NRS181J-102X	MG RESISTOR	1kΩ 1/8W J	
D621	SML-310LT/MN/-X	LED		AR760J	R661	NRSA63J-0R0X	MG RESISTOR	0Ω 1/16W J	AR760J
D621	SML-310VT/JK/-X	LED		G710J	R665	NRSA63J-0R0X	MG RESISTOR	0Ω 1/16W J	
D622	SML-310VT/JK/-X	LED			R668	NRS181J-102X	MG RESISTOR	1kΩ 1/8W J	
D623	SML-310VT/JK/-X	LED			R669	NRSA63J-221X	MG RESISTOR	220Ω 1/16W J	
D631	MA111-X	SI DIODE		AR760J	R670	NRSA63J-394X	MG RESISTOR	390kΩ 1/16W J	
D632	MA111-X	SI DIODE		AR760J	R671	NRSA63J-103X	MG RESISTOR	10kΩ 1/16W J	
D641	NSPW310BS/BR5/	LED			R672	NRSA63J-103X	MG RESISTOR	10kΩ 1/16W J	
D642	NSPW310BS/BR5/	LED			R673	NRSA63J-103X	MG RESISTOR	10kΩ 1/16W J	
D643	NSPW310BS/BR5/	LED			R674	NRSA63J-103X	MG RESISTOR	10kΩ 1/16W J	
D650	MA8091/M/-X	Z DIODE			R675	NRSA63J-683X	MG RESISTOR	68kΩ 1/16W J	
D651	MA8051/M/-X	Z DIODE			R676	NRSA63J-332X	MG RESISTOR	3.3kΩ 1/16W J	
D652	MA111-X	SI DIODE			R677	NRSA63J-332X	MG RESISTOR	3.3kΩ 1/16W J	
D653	MA111-X	SI DIODE			R678	NRSA63J-332X	MG RESISTOR	3.3kΩ 1/16W J	
D654	MA111-X	SI DIODE			R679	NRSA63J-151X	MG RESISTOR	150Ω 1/16W J	
D655	MA111-X	SI DIODE			R680	NRSA63J-103X	MG RESISTOR	10kΩ 1/16W J	
D656	MA111-X	SI DIODE			R681	NRSA63J-471X	MG RESISTOR	470Ω 1/16W J	
D657	MA111-X	SI DIODE			R685	NRSA63J-103X	MG RESISTOR	10kΩ 1/16W J	
D658	MA111-X	SI DIODE			R690	NRSA63J-0R0X	MG RESISTOR	0Ω 1/16W J	
D680	MA8056/M/-X	Z DIODE			CN601	NNZ0098-003X	CAR CONNECTOR		
C601	NBE20JM-475X	TA E CAPACITOR	4.7uF 6.3V M		JS601	QSW0793-001	ROTARY ENCODER		
C602	NCS31HJ-681X	C CAPACITOR	680pF 50V J		S601	NSW0206-001X	TACT SWITCH		
C603	NCB31CK-104X	C CAPACITOR	0.1uF 16V K		S602	NSW0206-001X	TACT SWITCH		
C604	NCB31CK-104X	C CAPACITOR	0.1uF 16V K		S603	NSW0206-001X	TACT SWITCH		
C605	NCB31CK-104X	C CAPACITOR	0.1uF 16V K		S605	NSW0206-001X	TACT SWITCH		
C608	NCB31HK-103X	C CAPACITOR	0.01uF 50V K		S606	NSW0206-001X	TACT SWITCH		
C609	NCB31HK-103X	C CAPACITOR	0.01uF 50V K		S607	NSW0206-001X	TACT SWITCH		
C610	NBE21CM-475X	TA E CAPACITOR	4.7uF 16V M		S608	NSW0206-001X	TACT SWITCH		
C611	NCB31CK-104X	C CAPACITOR	0.1uF 16V K		S609	NSW0206-001X	TACT SWITCH		
C612	NBE20JM-475X	TA E CAPACITOR	4.7uF 6.3V M		S610	NSW0206-001X	TACT SWITCH		
C680	NBE20JM-475X	TA E CAPACITOR	4.7uF 6.3V M		S611	NSW0206-001X	TACT SWITCH		
R601	NRSA63J-821X	MG RESISTOR	820Ω 1/16W J		S612	NSW0206-001X	TACT SWITCH		
R602	NRSA63J-821X	MG RESISTOR	820Ω 1/16W J		S613	NSW0206-001X	TACT SWITCH		
R603	NRSA63J-122X	MG RESISTOR	1.2kΩ 1/16W J		S614	NSW0206-001X	TACT SWITCH		
R604	NRSA63J-182X	MG RESISTOR	1.8kΩ 1/16W J		S615	NSW0206-001X	TACT SWITCH		
R605	NRSA63J-821X	MG RESISTOR	820Ω 1/16W J		S616	NSW0206-001X	TACT SWITCH		
R606	NRSA63J-821X	MG RESISTOR	820Ω 1/16W J		S617	NSW0206-001X	TACT SWITCH		
R607	NRSA63J-122X	MG RESISTOR	1.2kΩ 1/16W J		S690	NSW0206-001X	TACT SWITCH		
R608	NRSA63J-182X	MG RESISTOR	1.8kΩ 1/16W J		SD601	NSW0218-001X	LUMISWITCH		
R609	NRSA63J-272X	MG RESISTOR	2.7kΩ 1/16W J		SD602	NSW0218-001X	LUMISWITCH		
					TH685	NAD0028-103X	N THERMISTOR	10kΩ	

CD mechanism control board

(AR760/G710_J)

Block No. [0][3]

Symbol No.	Part No.	Part Name	Description	Local
IC501	TMP91CW12AF5VD9	IC		
IC502	BR24L01AFV-W-X	IC		
IC503	SN74AHCT126PW-X	IC(DIGITAL)		
IC504	NJU7241F33-X	IC		
IC571	PCM1753-X	IC		
IC572	NJM4580V-X	IC		
IC573	SN74AHC04PW-X	IC		
IC601	TA2157FN-X	RF AMP IC		
IC621	TC94A14FA	CD LSI IC		
IC651	NJU7772F15-X	IC		
IC652	TC94A34FG-002	IC		
IC681	BA5830FP-X	IC		
Q501	UN2111-X	TRANSISTOR		
Q502	UN2211-X	TRANSISTOR		
Q571	UN2111-X	TRANSISTOR		
Q572	UN2211-X	TRANSISTOR		
Q573	2SB624/4/-X	TRANSISTOR		
Q574	UN2211-X	TRANSISTOR		
Q601	2SB1132/QR/-W	TRANSISTOR		
Q651	2SB624/4/-X	TRANSISTOR		
Q652	UN2211-X	TRANSISTOR		
Q681	2SB1184/QR/-X	TRANSISTOR		
D506	MA111-X	SI DIODE		
D682	1SR154-400-X	DIODE		
C501	NCB31HK-103X	C CAPACITOR	0.01uF 50V K	
C502	NCB31HK-103X	C CAPACITOR	0.01uF 50V K	
C503	NEAG0JM-107X	E CAPACITOR	100uF 6.3V M	
C504	NDC31HJ-220X	C CAPACITOR	22pF 50V J	
C505	NDC31HJ-220X	C CAPACITOR	22pF 50V J	
C506	NCB31HK-103X	C CAPACITOR	0.01uF 50V K	
C507	NCB31HK-103X	C CAPACITOR	0.01uF 50V K	
C508	NCB31HK-103X	C CAPACITOR	0.01uF 50V K	
C509	NCB31HK-103X	C CAPACITOR	0.01uF 50V K	
C510	NCB31HK-103X	C CAPACITOR	0.01uF 50V K	
C511	NCB31CK-104X	C CAPACITOR	0.1uF 16V K	
C512	NEAG0JM-107X	E CAPACITOR	100uF 6.3V M	
C513	NCB31HK-103X	C CAPACITOR	0.01uF 50V K	
C514	NCS31HJ-102X	C CAPACITOR	1000pF 50V J	
C551	NCB31HK-103X	C CAPACITOR	0.01uF 50V K	
C561	NCB31EK-123X	C CAPACITOR	0.012uF 25V K	
C571	NDC31HJ-270X	C CAPACITOR	27pF 50V J	
C572	NDC31HJ-270X	C CAPACITOR	27pF 50V J	
C573	NCB31CK-104X	C CAPACITOR	0.1uF 16V K	
C574	NEAG0JM-107X	E CAPACITOR	100uF 6.3V M	
C575	NEAG0JM-107X	E CAPACITOR	100uF 6.3V M	
C577	NCB31CK-104X	C CAPACITOR	0.1uF 16V K	
C578	NEAG0JM-107X	E CAPACITOR	100uF 6.3V M	
C580	NCB31EK-123X	C CAPACITOR	0.012uF 25V K	
C581	NDC31HJ-101X	C CAPACITOR	100pF 50V J	
C582	NDC31HJ-101X	C CAPACITOR	100pF 50V J	
C583	NCS31HJ-821X	C CAPACITOR	820pF 50V J	
C584	NCS31HJ-821X	C CAPACITOR	820pF 50V J	
C585	NEAG1VM-475X	E CAPACITOR	4.7uF 35V M	
C586	NEAG1VM-475X	E CAPACITOR	4.7uF 35V M	
C587	NDC31HJ-151X	C CAPACITOR	150pF 50V J	
C588	NDC31HJ-151X	C CAPACITOR	150pF 50V J	
C589	NEAG1VM-475X	E CAPACITOR	4.7uF 35V M	
C590	NEAG1VM-475X	E CAPACITOR	4.7uF 35V M	
C591	NEAG0JM-476X	E CAPACITOR	47uF 6.3V M	
C592	NEAG0JM-476X	E CAPACITOR	47uF 6.3V M	
C593	NEAG1CM-476X	E CAPACITOR	47uF 16V M	
C594	NCS31HJ-102X	C CAPACITOR	1000pF 50V J	
C595	NCB31CK-473X	C CAPACITOR	0.047uF 16V K	
C596	NDC31HJ-101X	C CAPACITOR	100pF 50V J	
C597	NCS31HJ-102X	C CAPACITOR	1000pF 50V J	
C598	NCS31HJ-102X	C CAPACITOR	1000pF 50V J	
C601	NEAG0JM-476X	E CAPACITOR	47uF 6.3V M	
C602	NCB31HK-103X	C CAPACITOR	0.01uF 50V K	
C603	NEAG0JM-107X	E CAPACITOR	100uF 6.3V M	

Symbol No.	Part No.	Part Name	Description	Local
C604	NCB31HK-103X	C CAPACITOR	0.01uF 50V K	
C605	NCB31HK-682X	C CAPACITOR	6800pF 50V K	
C606	NEAG0JM-476X	E CAPACITOR	47uF 6.3V M	
C607	NCB31HK-103X	C CAPACITOR	0.01uF 50V K	
C608	NCB31CK-104X	C CAPACITOR	0.1uF 16V K	
C609	NCB31CK-104X	C CAPACITOR	0.1uF 16V K	
C610	NDC31HJ-5R0X	C CAPACITOR	5pF 50V J	
C611	NDC31HJ-680X	C CAPACITOR	68pF 50V J	
C612	NCB31HK-103X	C CAPACITOR	0.01uF 50V K	
C613	NCB31HK-103X	C CAPACITOR	0.01uF 50V K	
C614	NCB31HK-103X	C CAPACITOR	0.01uF 50V K	
C616	NBE20JM-106X	TA E CAPACITOR	10uF 6.3V M	
C621	NCB31HK-103X	C CAPACITOR	0.01uF 50V K	
C622	NEAG0JM-476X	E CAPACITOR	47uF 6.3V M	
C623	NDC31HJ-470X	C CAPACITOR	47pF 50V J	
C624	NCB31HK-153X	C CAPACITOR	0.015uF 50V K	
C625	NCB31HK-103X	C CAPACITOR	0.01uF 50V K	
C626	NCB31HK-272X	C CAPACITOR	2700pF 50V K	
C627	NCB31HK-103X	C CAPACITOR	0.01uF 50V K	
C628	NEAG0JM-476X	E CAPACITOR	47uF 6.3V M	
C629	NCB31EK-333X	C CAPACITOR	0.033uF 25V K	
C630	NCB31EK-333X	C CAPACITOR	0.033uF 25V K	
C631	NDC31HJ-471X	C CAPACITOR	470pF 50V J	
C632	NDC31HJ-471X	C CAPACITOR	470pF 50V J	
C633	NCB31CK-473X	C CAPACITOR	0.047uF 16V K	
C634	NCB31CK-473X	C CAPACITOR	0.047uF 16V K	
C635	NCB31CK-473X	C CAPACITOR	0.047uF 16V K	
C636	NCB31CK-473X	C CAPACITOR	0.047uF 16V K	
C637	NCB31CK-473X	C CAPACITOR	0.047uF 16V K	
C638	NCB31HK-103X	C CAPACITOR	0.01uF 50V K	
C639	NEAG0JM-476X	E CAPACITOR	47uF 6.3V M	
C640	NCB31HK-103X	C CAPACITOR	0.01uF 50V K	
C641	NEAG0JM-476X	E CAPACITOR	47uF 6.3V M	
C642	NDC31HJ-101X	C CAPACITOR	100pF 50V J	
C643	NCB31HK-103X	C CAPACITOR	0.01uF 50V K	
C644	NCB31AK-334X	C CAPACITOR	0.33uF 10V K	
C645	NEAG0JM-476X	E CAPACITOR	47uF 6.3V M	
C646	NCB31HK-103X	C CAPACITOR	0.01uF 50V K	
C651	NEAG0JM-476X	E CAPACITOR	47uF 6.3V M	
C652	NCB31HK-103X	C CAPACITOR	0.01uF 50V K	
C653	NEAG0JM-476X	E CAPACITOR	47uF 6.3V M	
C654	NCB31CK-104X	C CAPACITOR	0.1uF 16V K	
C655	NCB31HK-103X	C CAPACITOR	0.01uF 50V K	
C656	NCB31CK-104X	C CAPACITOR	0.1uF 16V K	
C659	NCB31CK-104X	C CAPACITOR	0.1uF 16V K	
C660	NDC31HJ-101X	C CAPACITOR	100pF 50V J	
C661	NCB31HK-103X	C CAPACITOR	0.01uF 50V K	
C662	NDC31HJ-101X	C CAPACITOR	100pF 50V J	
C663	NBE20JM-106X	TA E CAPACITOR	10uF 6.3V M	
C664	NCB31HK-222X	C CAPACITOR	2200pF 50V K	
C665	NCB31CK-104X	C CAPACITOR	0.1uF 16V K	
C666	NDC31HJ-101X	C CAPACITOR	100pF 50V J	
C667	NCB31HK-103X	C CAPACITOR	0.01uF 50V K	
C668	NEAG0JM-476X	E CAPACITOR	47uF 6.3V M	
C669	NCB31HK-103X	C CAPACITOR	0.01uF 50V K	
C682	NEAG1VM-475X	E CAPACITOR	4.7uF 35V M	
C683	NCB31CK-104X	C CAPACITOR	0.1uF 16V K	
C684	NEAG1CM-476X	E CAPACITOR	47uF 16V M	
C689	NEAG1CM-476X	E CAPACITOR	47uF 16V M	
C690	NBE20JM-106X	TA E CAPACITOR	10uF 6.3V M	
C693	NEAG1CM-476X	E CAPACITOR	47uF 16V M	
R501	NRSA63J-102X	MG RESISTOR	1kΩ 1/16W J	
R502	NRSA63J-102X	MG RESISTOR	1kΩ 1/16W J	
R503	NRSA63J-102X	MG RESISTOR	1kΩ 1/16W J	
R504	NRSA63J-101X	MG RESISTOR	100Ω 1/16W J	
R505	NRSA63J-101X	MG RESISTOR	100Ω 1/16W J	
R506	NRSA63J-473X	MG RESISTOR	47kΩ 1/16W J	
R507	NRSA63J-473X	MG RESISTOR	47kΩ 1/16W J	
R508	NRSA63J-473X	MG RESISTOR	47kΩ 1/16W J	
R509	NRSA63J-473X	MG RESISTOR	47kΩ 1/16W J	
R510	NRSA63J-101X	MG RESISTOR	100Ω 1/16W J	
R511	NRSA63J-102X	MG RESISTOR	1kΩ 1/16W J	
R512	NRSA63J-473X	MG RESISTOR	47kΩ 1/16W J	
R513	NRSA63J-102X	MG RESISTOR	1kΩ 1/16W J	
R514	NRSA63J-473X	MG RESISTOR	47kΩ 1/16W J	
R515	NRSA63J-473X	MG RESISTOR	47kΩ 1/16W J	
R516	NRSA63J-102X	MG RESISTOR	1kΩ 1/16W J	

△ Symbol No.	Part No.	Part Name	Description	Local	△ Symbol No.	Part No.	Part Name	Description	Local
R517	NRSA63J-101X	MG RESISTOR	100Ω 1/16W J		R610	NRSA63J-101X	MG RESISTOR	100Ω 1/16W J	
R518	NRSA63J-101X	MG RESISTOR	100Ω 1/16W J		R611	NRSA63J-103X	MG RESISTOR	10kΩ 1/16W J	
R519	NRSA63J-101X	MG RESISTOR	100Ω 1/16W J		R612	NRSA63J-202X	MG RESISTOR	2kΩ 1/16W J	
R520	NRSA63J-101X	MG RESISTOR	100Ω 1/16W J		R613	NRSA63J-102X	MG RESISTOR	1kΩ 1/16W J	
R521	NRSA63J-101X	MG RESISTOR	100Ω 1/16W J		R614	NRSA63J-153X	MG RESISTOR	15kΩ 1/16W J	
R522	NRSA63J-101X	MG RESISTOR	100Ω 1/16W J		R615	NRSA63J-151X	MG RESISTOR	150Ω 1/16W J	
R523	NRSA63J-101X	MG RESISTOR	100Ω 1/16W J		R616	NRSA63J-103X	MG RESISTOR	10kΩ 1/16W J	
R525	NRSA63J-104X	MG RESISTOR	100kΩ 1/16W J		R621	NRSA63J-470X	MG RESISTOR	47Ω 1/16W J	
R526	NRSA63J-473X	MG RESISTOR	47kΩ 1/16W J		R622	NRSA63J-470X	MG RESISTOR	47Ω 1/16W J	
R528	NRSA63J-473X	MG RESISTOR	47kΩ 1/16W J		R623	NRSA63J-470X	MG RESISTOR	47Ω 1/16W J	
R530	NRSA63J-473X	MG RESISTOR	47kΩ 1/16W J		R624	NRSA63J-562X	MG RESISTOR	5.6kΩ 1/16W J	
R531	NRSA63J-473X	MG RESISTOR	47kΩ 1/16W J		R625	NRSA63J-473X	MG RESISTOR	47kΩ 1/16W J	
R532	NRSA63J-102X	MG RESISTOR	1kΩ 1/16W J		R626	NRSA63J-474X	MG RESISTOR	470kΩ 1/16W J	
R533	NRSA63J-101X	MG RESISTOR	100Ω 1/16W J		R627	NRSA63J-153X	MG RESISTOR	15kΩ 1/16W J	
R534	NRSA63J-101X	MG RESISTOR	100Ω 1/16W J		R628	NRSA63J-155X	MG RESISTOR	1.5MΩ 1/16W J	
R535	NRSA63J-101X	MG RESISTOR	100Ω 1/16W J		R629	NRSA63J-103X	MG RESISTOR	10kΩ 1/16W J	
R536	NRSA63J-101X	MG RESISTOR	100Ω 1/16W J		R630	NRSA63J-101X	MG RESISTOR	100Ω 1/16W J	
R537	NRSA63J-101X	MG RESISTOR	100Ω 1/16W J		R631	NRSA63J-101X	MG RESISTOR	100Ω 1/16W J	
R539	NRSA63J-473X	MG RESISTOR	47kΩ 1/16W J		R632	NRSA63J-0R0X	MG RESISTOR	0Ω 1/16W J	
R540	NRSA63J-473X	MG RESISTOR	47kΩ 1/16W J		R633	NRSA63J-0R0X	MG RESISTOR	0Ω 1/16W J	
R541	NRSA63J-101X	MG RESISTOR	100Ω 1/16W J		R634	NRSA63J-0R0X	MG RESISTOR	0Ω 1/16W J	
R542	NRSA63J-103X	MG RESISTOR	10kΩ 1/16W J		R635	NRSA63J-101X	MG RESISTOR	100Ω 1/16W J	
R543	NRSA63J-101X	MG RESISTOR	100Ω 1/16W J		R636	NRSA63J-101X	MG RESISTOR	100Ω 1/16W J	
R544	NRSA63J-101X	MG RESISTOR	100Ω 1/16W J		R637	NRSA63J-105X	MG RESISTOR	1MΩ 1/16W J	
R545	NRSA63J-103X	MG RESISTOR	10kΩ 1/16W J		R638	NRSA63J-472X	MG RESISTOR	4.7kΩ 1/16W J	
R546	NRSA63J-271X	MG RESISTOR	270Ω 1/16W J		R639	NRSA63J-472X	MG RESISTOR	4.7kΩ 1/16W J	
R547	NRSA63J-271X	MG RESISTOR	270Ω 1/16W J		R640	NRSA63J-472X	MG RESISTOR	4.7kΩ 1/16W J	
R548	NRSA63J-822X	MG RESISTOR	8.2kΩ 1/16W J		R641	NRSA63J-472X	MG RESISTOR	4.7kΩ 1/16W J	
R549	NRSA63J-472X	MG RESISTOR	4.7kΩ 1/16W J		R642	NRSA63J-103X	MG RESISTOR	10kΩ 1/16W J	
R550	NRSA63J-472X	MG RESISTOR	4.7kΩ 1/16W J		R651	NRSA63J-104X	MG RESISTOR	100kΩ 1/16W J	
R551	NRSA63J-104X	MG RESISTOR	100kΩ 1/16W J		R654	NRSA63J-390X	MG RESISTOR	39Ω 1/16W J	
R552	NRSA63J-104X	MG RESISTOR	100kΩ 1/16W J		R655	NRSA63J-103X	MG RESISTOR	10kΩ 1/16W J	
R553	NRSA63J-183X	MG RESISTOR	18kΩ 1/16W J		R656	NRSA63J-473X	MG RESISTOR	47kΩ 1/16W J	
R554	NRSA63J-333X	MG RESISTOR	33kΩ 1/16W J		R657	NRSA63J-222X	MG RESISTOR	2.2kΩ 1/16W J	
R555	NRSA63J-101X	MG RESISTOR	100Ω 1/16W J		R668	NRSA63J-470X	MG RESISTOR	47Ω 1/16W J	
R556	NRSA63J-0R0X	MG RESISTOR	0Ω 1/16W J		R675	NRSA63J-221X	MG RESISTOR	220Ω 1/16W J	
R557	NRSA63J-104X	MG RESISTOR	100kΩ 1/16W J		R681	NRSA63J-682X	MG RESISTOR	6.8kΩ 1/16W J	
R558	NRSA63J-104X	MG RESISTOR	100kΩ 1/16W J		R682	NRSA63J-222X	MG RESISTOR	2.2kΩ 1/16W J	
R559	NRSA63J-0R0X	MG RESISTOR	0Ω 1/16W J		R683	NRSA63J-682X	MG RESISTOR	6.8kΩ 1/16W J	
R560	NRSA63J-101X	MG RESISTOR	100Ω 1/16W J		R684	NRSA63J-822X	MG RESISTOR	8.2kΩ 1/16W J	
R561	NRSA63J-104X	MG RESISTOR	100kΩ 1/16W J		R685	NRSA63J-682X	MG RESISTOR	6.8kΩ 1/16W J	
R562	NRSA63J-392X	MG RESISTOR	3.9kΩ 1/16W J		R686	NRSA63J-123X	MG RESISTOR	12kΩ 1/16W J	
R563	NRSA63J-682X	MG RESISTOR	6.8kΩ 1/16W J		R687	NRSA63J-682X	MG RESISTOR	6.8kΩ 1/16W J	
R568	NRSA63J-102X	MG RESISTOR	1kΩ 1/16W J		R688	NRSA63J-182X	MG RESISTOR	1.8kΩ 1/16W J	
R569	NRSA63J-102X	MG RESISTOR	1kΩ 1/16W J		R689	NRSA63J-123X	MG RESISTOR	12kΩ 1/16W J	
R570	NRSA63J-102X	MG RESISTOR	1kΩ 1/16W J		R690	NRSA63J-333X	MG RESISTOR	33kΩ 1/16W J	
R572	NRSA63J-225X	MG RESISTOR	2.2MΩ 1/16W J		R691	NRSA63J-153X	MG RESISTOR	15kΩ 1/16W J	
R573	NRSA63J-102X	MG RESISTOR	1kΩ 1/16W J		L501	NQL114K-470X	COIL	47uH K	
R574	NRSA63J-470X	MG RESISTOR	47Ω 1/16W J		L502	NQL114K-470X	COIL	47uH K	
R575	NRSA63J-102X	MG RESISTOR	1kΩ 1/16W J		L572	NQL114K-470X	COIL	47uH K	
R576	NRSA63J-102X	MG RESISTOR	1kΩ 1/16W J		L621	NQL114K-470X	COIL	47uH K	
R577	NRSA63J-101X	MG RESISTOR	100Ω 1/16W J		L622	NQL114K-470X	COIL	47uH K	
R578	NRSA63J-473X	MG RESISTOR	47kΩ 1/16W J		L623	NQL114K-470X	COIL	47uH K	
R579	NRSA63J-222X	MG RESISTOR	2.2kΩ 1/16W J		L651	NQL114K-470X	COIL	47uH K	
R581	NRSA63J-243X	MG RESISTOR	24kΩ 1/16W J		L652	NQL114K-470X	COIL	47uH K	
R582	NRSA63J-243X	MG RESISTOR	24kΩ 1/16W J		L653	NQL114K-470X	COIL	47uH K	
R583	NRSA63J-822X	MG RESISTOR	8.2kΩ 1/16W J		CN501	QGB2027L1-22X	CONNECTOR	B-B (1-22)	
R584	NRSA63J-822X	MG RESISTOR	8.2kΩ 1/16W J		CN601	QGF0527F2-22W	CONNECTOR	FFC/FPC (1-22)	
R585	NRSA63J-273X	MG RESISTOR	27kΩ 1/16W J		TH501	NAD0028-103X	N THERMISTOR	10kΩ	
R586	NRSA63J-273X	MG RESISTOR	27kΩ 1/16W J		X501	NAX0385-001X	CRYSTAL	24.576MHz	
R587	NRSA63J-473X	MG RESISTOR	47kΩ 1/16W J		X571	NAX0375-001X	CRYSTAL	16.9344MHz	
R588	NRSA63J-473X	MG RESISTOR	47kΩ 1/16W J						
R589	NRSA63J-103X	MG RESISTOR	10kΩ 1/16W J						
R590	NRSA63J-103X	MG RESISTOR	10kΩ 1/16W J						
R591	NRSA63J-103X	MG RESISTOR	10kΩ 1/16W J						
R592	NRSA63J-103X	MG RESISTOR	10kΩ 1/16W J						
R593	NRSA63J-4R7X	MG RESISTOR	4.7Ω 1/16W J						
R594	NRSA63J-470X	MG RESISTOR	47Ω 1/16W J						
R595	NRSA63J-470X	MG RESISTOR	47Ω 1/16W J						
R601	NRSA63J-823X	MG RESISTOR	82kΩ 1/16W J						
R602	NRSA63J-823X	MG RESISTOR	82kΩ 1/16W J						
R603	NRSA63J-334X	MG RESISTOR	330kΩ 1/16W J						
R604	NRSA63J-334X	MG RESISTOR	330kΩ 1/16W J						
R605	NRSA63J-220X	MG RESISTOR	22Ω 1/16W J						
R606	NRSA63J-220X	MG RESISTOR	22Ω 1/16W J						
R607	NRSA63J-823X	MG RESISTOR	82kΩ 1/16W J						
R608	NRSA63J-821X	MG RESISTOR	820Ω 1/16W J						
R609	NRSA63J-563X	MG RESISTOR	56kΩ 1/16W J						

Main board(KD-AR760/G710_J2)

Block No. [0][4]

Symbol No.	Part No.	Part Name	Description	Local
IC31	TB2118F-X	PLL IC		
IC161	BD3807K	IC		
IC251	NJM4565M-WE	IC		AR760 J2
IC271	CD4066BPW-X	IC		AR760 J2
IC301	TB2906HQ	IC		
IC361	NJM2160BV-X	IC		
IC381	NJM2160BV-X	IC		
IC701	UPD784217AGC299	IC		
IC702	IC-PST3433U-X	IC		
IC771	BR24L16F-W-X	IC		
IC801	HD74HC126FP-X	IC		
IC901	HA13164A	IC		
IC951	BA6956AN	IC		
Q1	2SD601A/QR/-X	TRANSISTOR		
Q5	2SB709A/QR/-X	TRANSISTOR		
Q6	2SB624/4/-X	TRANSISTOR		
Q7	UN2211-X	TRANSISTOR		
Q8	UN2211-X	TRANSISTOR		
Q31	UN2211-X	TRANSISTOR		
Q241	2SD601A/R/-X	TRANSISTOR		
Q271	KTD1304-X	TRANSISTOR		AR760 J2
Q272	UN2211-X	TRANSISTOR		AR760 J2
Q273	UN2211-X	TRANSISTOR		AR760 J2
Q274	UN2111-X	TRANSISTOR		AR760 J2
Q301	UN2211-X	TRANSISTOR		AR760 J2
Q321	KTD1304-X	TRANSISTOR		
Q331	KTD1304-X	TRANSISTOR		
Q341	KTD1304-X	TRANSISTOR		
Q351	KTD1304-X	TRANSISTOR		
Q701	UN2211-X	TRANSISTOR		
Q702	UN2213-X	DIGI TRANSISTOR		
Q703	UN2211-X	TRANSISTOR		
Q704	UN2211-X	TRANSISTOR		
Q705	UN2211-X	TRANSISTOR		
Q781	UN2111-X	TRANSISTOR		
Q782	KTD1304-X	TRANSISTOR		
Q784	UN2111-X	TRANSISTOR		
Q881	UN2211-X	TRANSISTOR		
Q891	UN2211-X	TRANSISTOR		AR760 J2
Q951	UN2211-X	TRANSISTOR		
Q976	UN2211-X	TRANSISTOR		
Q977	2SB709A/QR/-X	TRANSISTOR		
D1	MA111-X	SI DIODE		
D2	MA111-X	SI DIODE		
D4	MA152WK-X	SI DIODE		
D169	MA152WK-X	SI DIODE		
D242	MA111-X	SI DIODE		
D243	RB160M-30-X	SB DIODE		
D244	MA8051/M/-X	Z DIODE		
D272	MA111-X	SI DIODE		AR760 J2
D273	MA111-X	SI DIODE		AR760 J2
D321	MA111-X	SI DIODE		
D322	MA111-X	SI DIODE		
D712	MA111-X	SI DIODE		
D715	MA111-X	SI DIODE		
D716	MA111-X	SI DIODE		
D781	MA111-X	SI DIODE		
D782	MA111-X	SI DIODE		
D784	MA8110/M/-X	Z DIODE		
D791	SML-310VT/JK/-X	LED		
D792	SML-310VT/JK/-X	LED		
D793	SML-310VT/JK/-X	LED		

Symbol No.	Part No.	Part Name	Description	Local
D891	MA152WA-X	DIODE		AR760 J2
D901	1N5401-F64	DIODE		
D902	MA111-X	SI DIODE		
D951	MA8039/H/-X	Z DIODE		
D961	RB160M-30-X	SB DIODE		
D962	RB160M-30-X	SB DIODE		
D971	RB160M-30-X	SB DIODE		
D972	RB160M-30-X	SB DIODE		
C1	QERF1CM-226Z	E CAPACITOR	22uF 16V M	
C2	NCB31EK-473X	C CAPACITOR	0.047uF 25V K	
C3	NCB31EK-103X	C CAPACITOR	0.01uF 25V K	
C4	QERF1AM-227Z	E CAPACITOR	220uF 10V M	
C5	QERF1HM-104Z	E CAPACITOR	0.1uF 50V M	
C6	NCB31HK-103X	C CAPACITOR	0.01uF 50V K	
C9	QERF1CM-106Z	E CAPACITOR	10uF 16V M	
C12	NCB31HK-103X	C CAPACITOR	0.01uF 50V K	
C31	QERF1AM-107Z	E CAPACITOR	100uF 10V M	
C32	NDC31HJ-470X	C CAPACITOR	47pF 50V J	
C33	QERF0JM-476Z	E CAPACITOR	47uF 6.3V M	
C34	NCB31EK-473X	C CAPACITOR	0.047uF 25V K	
C35	NDC31HJ-100X	C CAPACITOR	10pF 50V J	
C36	NDC31HJ-7R0X	C CAPACITOR	7pF 50V J	
C37	NDC31HJ-100X	C CAPACITOR	10pF 50V J	
C38	NCB31HK-102X	C CAPACITOR	1000pF 50V K	
C39	NCB31HK-102X	C CAPACITOR	1000pF 50V K	
C40	QERF1CM-106Z	E CAPACITOR	10uF 16V M	
C41	NCB31EK-473X	C CAPACITOR	0.047uF 25V K	
C42	NCB31HK-103X	C CAPACITOR	0.01uF 50V K	
C43	QFV61HJ-473Z	MF CAPACITOR	0.047uF 50V J	
C44	NCB31EK-103X	C CAPACITOR	0.01uF 25V K	
C45	NCB31HK-272X	C CAPACITOR	2700pF 50V K	
C46	NCB31HK-103X	C CAPACITOR	0.01uF 50V K	
C47	NCB31HK-103X	C CAPACITOR	0.01uF 50V K	
C48	NCB31EK-473X	C CAPACITOR	0.047uF 25V K	
C49	NCB31HK-102X	C CAPACITOR	1000pF 50V K	
C50	NDC31HJ-101X	C CAPACITOR	100pF 50V J	
C51	NDC31HJ-331X	C CAPACITOR	330pF 50V J	
C81	QERF1HM-105Z	E CAPACITOR	1uF 50V M	
C82	NCB31HK-103X	C CAPACITOR	0.01uF 50V K	
C84	NCB31HK-103X	C CAPACITOR	0.01uF 50V K	
C85	NCB31HK-223X	C CAPACITOR	0.022uF 50V K	
C91	QERF1HM-105Z	E CAPACITOR	1uF 50V M	
C92	NCB31HK-103X	C CAPACITOR	0.01uF 50V K	
C94	NCB31HK-103X	C CAPACITOR	0.01uF 50V K	
C95	NCB31HK-223X	C CAPACITOR	0.022uF 50V K	
C160	NCB31EK-472X	C CAPACITOR	4700pF 25V K	AR760 J2
C161	QERF1HM-105Z	E CAPACITOR	1uF 50V M	AR760 J2
C162	QERF1HM-105Z	E CAPACITOR	1uF 50V M	AR760 J2
C163	QERF1HM-105Z	E CAPACITOR	1uF 50V M	
C164	QTE1H55-225Z	E CAPACITOR	2.2uF 50V	
C165	QERF1HM-105Z	E CAPACITOR	1uF 50V M	
C166	NCB31HK-221X	C CAPACITOR	220pF 50V K	
C167	NCB31EK-104X	C CAPACITOR	0.1uF 25V K	
C168	NCB31HK-103X	C CAPACITOR	0.01uF 50V K	
C169	NCB31HK-103X	C CAPACITOR	0.01uF 50V K	
C170	NCB31EK-472X	C CAPACITOR	4700pF 25V K	AR760 J2
C171	QERF1HM-105Z	E CAPACITOR	1uF 50V M	AR760 J2
C172	QERF1HM-105Z	E CAPACITOR	1uF 50V M	AR760 J2
C173	QERF1HM-105Z	E CAPACITOR	1uF 50V M	
C174	QTE1H55-225Z	E CAPACITOR	2.2uF 50V	
C175	QERF1HM-105Z	E CAPACITOR	1uF 50V M	
C176	NCB31HK-221X	C CAPACITOR	220pF 50V K	
C177	NCB31EK-104X	C CAPACITOR	0.1uF 25V K	
C178	NCB31EK-103X	C CAPACITOR	0.01uF 25V K	
C179	NCB31EK-103X	C CAPACITOR	0.01uF 25V K	
C180	QERF1CM-106Z	E CAPACITOR	10uF 16V M	
C181	QERF1CM-107Z	E CAPACITOR	100uF 16V M	
C182	NCB31EK-104X	C CAPACITOR	0.1uF 25V K	
C183	NCB31EK-104X	C CAPACITOR	0.1uF 25V K	AR760 J2
C184	NCB31EK-123X	C CAPACITOR	0.012uF 25V K	

△ Symbol No.	Part No.	Part Name	Description	Local	△ Symbol No.	Part No.	Part Name	Description	Local
C241	QERF1HM-105Z	E CAPACITOR	1uF 50V M		C704	NDC31HJ-8R0X	C CAPACITOR	8pF 50V J	
C242	QERF1CM-226Z	E CAPACITOR	22uF 16V M		C705	NCB31EK-104X	C CAPACITOR	0.1uF 25V K	
C243	NCB31EK-473X	C CAPACITOR	0.047uF 25V K		C707	NCB31EK-473X	C CAPACITOR	0.047uF 25V K	
C245	QERF1HM-224Z	E CAPACITOR	0.22uF 50V M		C708	NCB31EK-473X	C CAPACITOR	0.047uF 25V K	
C251	NCB31HK-682X	C CAPACITOR	6800pF 50V K	AR760 J2	C709	NCB31HK-103X	C CAPACITOR	0.01uF 50V K	
C252	NBE21AM-106X	TA E CAPACITOR	10uF 10V M	AR760 J2	C710	QERF0JM-476Z	E CAPACITOR	47uF 6.3V M	
C253	NBE21AM-106X	TA E CAPACITOR	10uF 10V M	AR760 J2	C716	NCB31EK-104X	C CAPACITOR	0.1uF 25V K	
C254	NCB31EK-823X	C CAPACITOR	0.082uF 25V K	AR760 J2	C718	NCB31EK-104X	C CAPACITOR	0.1uF 25V K	
C255	QERF1CM-476Z	E CAPACITOR	47uF 16V M	AR760 J2	C719	NCB31EK-104X	C CAPACITOR	0.1uF 25V K	
C256	NCB31HK-103X	C CAPACITOR	0.01uF 50V K	AR760 J2	C720	NCB31HK-103X	C CAPACITOR	0.01uF 50V K	
C261	QERF1HM-225Z	E CAPACITOR	2.2uF 50V M	AR760 J2	C721	NCB31HK-103X	C CAPACITOR	0.01uF 50V K	
C262	QERF1HM-225Z	E CAPACITOR	2.2uF 50V M	AR760 J2	C722	NCB31HK-103X	C CAPACITOR	0.01uF 50V K	
C272	NDC31HJ-101X	C CAPACITOR	100pF 50V J	AR760 J2	C728	NBE40JM-476X	TA E CAPACITOR	47uF 6.3V M	
C273	NDC31HJ-101X	C CAPACITOR	100pF 50V J	AR760 J2	C771	NCB31EK-473X	C CAPACITOR	0.047uF 25V K	
C274	NCB31EK-273X	C CAPACITOR	0.027uF 25V K	AR760 J2	C781	QERF0JM-476Z	E CAPACITOR	47uF 6.3V M	
C275	NCB31EK-273X	C CAPACITOR	0.027uF 25V K	AR760 J2	C782	NCB31EK-823X	C CAPACITOR	0.082uF 25V K	
C276	NCB31EK-333X	C CAPACITOR	0.033uF 25V K	AR760 J2	C784	QERF1CM-107Z	E CAPACITOR	100uF 16V M	
C277	NCB31EK-562X	C CAPACITOR	5600pF 25V K	AR760 J2	C801	NCB31EK-473X	C CAPACITOR	0.047uF 25V K	
C278	NCB31EK-123X	C CAPACITOR	0.012uF 25V K	AR760 J2	C881	QERF1CM-226Z	E CAPACITOR	22uF 16V M	
C279	QERF1CM-476Z	E CAPACITOR	47uF 16V M	AR760 J2	C891	NCB31EK-104X	C CAPACITOR	0.1uF 25V K	AR760 J2
C301	QFV91HJ-474Z	MF CAPACITOR	0.47uF 50V J		C901	QEZ0723-338	E CAPACITOR	3300uF	
C302	QFV91HJ-474Z	MF CAPACITOR	0.47uF 50V J		C902	QERF1HM-225Z	E CAPACITOR	2.2uF 50V M	
C303	NDC31HJ-101X	C CAPACITOR	100pF 50V J		C903	QERF1CM-476Z	E CAPACITOR	47uF 16V M	
C304	NDC31HJ-101X	C CAPACITOR	100pF 50V J		C904	QERF1CM-106Z	E CAPACITOR	10uF 16V M	
C311	QFV91HJ-474Z	MF CAPACITOR	0.47uF 50V J		C905	QERF1CM-476Z	E CAPACITOR	47uF 16V M	
C312	QFV91HJ-474Z	MF CAPACITOR	0.47uF 50V J		C906	NCB31HK-103X	C CAPACITOR	0.01uF 50V K	
C313	NDC31HJ-101X	C CAPACITOR	100pF 50V J		C907	QERF1AM-227Z	E CAPACITOR	220uF 10V M	
C314	NDC31HJ-101X	C CAPACITOR	100pF 50V J		C908	QERF1AM-227Z	E CAPACITOR	220uF 10V M	
C315	QERF1HM-475Z	E CAPACITOR	4.7uF 50V M		C909	QERF1AM-227Z	E CAPACITOR	220uF 10V M	
C316	QERF1CM-475Z	E CAPACITOR	4.7uF 16V M		C910	QERF1CM-476Z	E CAPACITOR	47uF 16V M	
C317	QERF1CM-476Z	E CAPACITOR	47uF 16V M		C911	NCB31EK-104X	C CAPACITOR	0.1uF 25V K	
C318	QERF1HM-225Z	E CAPACITOR	2.2uF 50V M		C912	NCB31HK-103X	C CAPACITOR	0.01uF 50V K	
C319	NCB31EK-223X	C CAPACITOR	0.022uF 25V K		C914	QERF1CM-107Z	E CAPACITOR	100uF 16V M	
C320	NCB31EK-223X	C CAPACITOR	0.022uF 25V K		C915	NCB31EK-104X	C CAPACITOR	0.1uF 25V K	
C322	NCB31EK-473X	C CAPACITOR	0.047uF 25V K		C917	NCB21CK-334X	C CAPACITOR	0.33uF 16V K	
C323	NCB21EK-472X	C CAPACITOR	4700pF 25V K		C951	QERF1AM-227Z	E CAPACITOR	220uF 10V M	
C324	NCB21EK-472X	C CAPACITOR	4700pF 25V K		C961	NDC31HJ-471X	C CAPACITOR	470pF 50V J	
C325	NCB21EK-472X	C CAPACITOR	4700pF 25V K		C962	NDC31HJ-471X	C CAPACITOR	470pF 50V J	
C326	NCB21EK-472X	C CAPACITOR	4700pF 25V K		C963	NDC31HJ-471X	C CAPACITOR	470pF 50V J	
C361	QERF1EM-475Z	E CAPACITOR	4.7uF 25V M		C964	NDC31HJ-471X	C CAPACITOR	470pF 50V J	
C362	NCB31EK-104X	C CAPACITOR	0.1uF 25V K		C965	NDC31HJ-471X	C CAPACITOR	470pF 50V J	
C363	NBE40JM-476X	TA E CAPACITOR	47uF 6.3V M		C966	NDC31HJ-471X	C CAPACITOR	470pF 50V J	
C364	NCB31EK-104X	C CAPACITOR	0.1uF 25V K		C967	NDC31HJ-471X	C CAPACITOR	470pF 50V J	
C365	QERF1EM-475Z	E CAPACITOR	4.7uF 25V M		C968	NDC31HJ-471X	C CAPACITOR	470pF 50V J	
C366	QERF1AM-107Z	E CAPACITOR	100uF 10V M		C971	NCB31EK-104X	C CAPACITOR	0.1uF 25V K	
C367	NBE21CM-105X	TA E CAPACITOR	1uF 16V M		R1	NRS181J-120X	MG RESISTOR	12Ω 1/8W J	
C368	QERF1HM-105Z	E CAPACITOR	1uF 50V M		R2	NRSA63J-473X	MG RESISTOR	47kΩ 1/16W J	
C369	QERF1AM-107Z	E CAPACITOR	100uF 10V M		R4	NRSA63J-332X	MG RESISTOR	3.3kΩ 1/16W J	
C370	NCB31HK-152X	C CAPACITOR	1500pF 50V K		R5	NRSA63J-473X	MG RESISTOR	47kΩ 1/16W J	
C371	NCB31HK-152X	C CAPACITOR	1500pF 50V K		R6	NRSA63J-473X	MG RESISTOR	47kΩ 1/16W J	
C381	QERF1EM-475Z	E CAPACITOR	4.7uF 25V M		R7	NRSA63J-472X	MG RESISTOR	4.7kΩ 1/16W J	
C382	NCB31EK-104X	C CAPACITOR	0.1uF 25V K		R8	NRSA63J-103X	MG RESISTOR	10kΩ 1/16W J	
C383	QERF1CM-476Z	E CAPACITOR	47uF 16V M		R9	NRS181J-101X	MG RESISTOR	100Ω 1/8W J	
C384	NCB31EK-104X	C CAPACITOR	0.1uF 25V K		R12	NRSA63J-0R0X	MG RESISTOR	0Ω 1/16W J	
C385	QERF1EM-475Z	E CAPACITOR	4.7uF 25V M		R31	NRS181J-100X	MG RESISTOR	10Ω 1/8W J	
C386	QERF1AM-107Z	E CAPACITOR	100uF 10V M		R32	NRSA63J-622X	MG RESISTOR	6.2kΩ 1/16W J	
C387	QERF1HM-105Z	E CAPACITOR	1uF 50V M		R33	NRSA63J-103X	MG RESISTOR	10kΩ 1/16W J	
C388	QERF1HM-105Z	E CAPACITOR	1uF 50V M		R34	NRSA63J-222X	MG RESISTOR	2.2kΩ 1/16W J	
C389	QERF1AM-107Z	E CAPACITOR	100uF 10V M		R35	NRSA63J-222X	MG RESISTOR	2.2kΩ 1/16W J	
C391	NCB31HK-152X	C CAPACITOR	1500pF 50V K		R36	NRSA63J-222X	MG RESISTOR	2.2kΩ 1/16W J	
C392	NCB31HK-152X	C CAPACITOR	1500pF 50V K		R37	NRSA63J-222X	MG RESISTOR	2.2kΩ 1/16W J	
C701	NDC31HJ-220X	C CAPACITOR	22pF 50V J		R38	NRSA63J-101X	MG RESISTOR	100Ω 1/16W J	
C702	NDC31HJ-270X	C CAPACITOR	27pF 50V J		R39	NRSA63J-0R0X	MG RESISTOR	0Ω 1/16W J	
C703	NDC31HJ-270X	C CAPACITOR	27pF 50V J		R40	NRSA63J-393X	MG RESISTOR	39kΩ 1/16W J	
					R41	NRSA63J-103X	MG RESISTOR	10kΩ 1/16W J	
					R42	NRS181J-100X	MG RESISTOR	10Ω 1/8W J	
					R43	NRSA63J-471X	MG RESISTOR	470Ω 1/16W J	
					R44	NRSA63J-221X	MG RESISTOR	220Ω 1/16W J	
					R60	NRSA63J-273X	MG RESISTOR	27kΩ 1/16W J	
					R61	NRSA63J-0R0X	MG RESISTOR	0Ω 1/16W J	
					R81	NRSA63J-122X	MG RESISTOR	1.2kΩ 1/16W J	
					R82	NRSA63J-222X	MG RESISTOR	2.2kΩ 1/16W J	
					R91	NRSA63J-122X	MG RESISTOR	1.2kΩ 1/16W J	
					R92	NRSA63J-222X	MG RESISTOR	2.2kΩ 1/16W J	
					R161	NRSA63J-222X	MG RESISTOR	2.2kΩ 1/16W J	
					R162	NRSA63J-222X	MG RESISTOR	2.2kΩ 1/16W J	

△ Symbol No.	Part No.	Part Name	Description	Local	△ Symbol No.	Part No.	Part Name	Description	Local
R163	NRSA63J-333X	MG RESISTOR	33kΩ 1/16W J		R351	NRSA63J-222X	MG RESISTOR	2.2kΩ 1/16W J	
R164	NRSA63J-0R0X	MG RESISTOR	0Ω 1/16W J		R352	NRSA63J-821X	MG RESISTOR	820Ω 1/16W J	
R165	NRSA63J-472X	MG RESISTOR	4.7kΩ 1/16W J		R353	NRSA63J-101X	MG RESISTOR	100Ω 1/16W J	
R166	NRSA63J-473X	MG RESISTOR	47kΩ 1/16W J		R361	NRSA63J-333X	MG RESISTOR	33kΩ 1/16W J	
R167	NRSA63J-472X	MG RESISTOR	4.7kΩ 1/16W J		R362	NRSA63J-223X	MG RESISTOR	22kΩ 1/16W J	
R168	NRSA63J-473X	MG RESISTOR	47kΩ 1/16W J		R363	NRSA63J-223X	MG RESISTOR	22kΩ 1/16W J	
R169	NRSA63J-224X	MG RESISTOR	220kΩ 1/16W J		R365	NRSA63J-333X	MG RESISTOR	33kΩ 1/16W J	
R170	NRSA63J-224X	MG RESISTOR	220kΩ 1/16W J		R366	NRSA63J-303X	MG RESISTOR	30kΩ 1/16W J	
R196	NRSA63J-473X	MG RESISTOR	47kΩ 1/16W J	AR760 J2	R367	NRSA63J-303X	MG RESISTOR	30kΩ 1/16W J	
R197	NRSA63J-473X	MG RESISTOR	47kΩ 1/16W J	AR760 J2	R368	NRSA63J-473X	MG RESISTOR	47kΩ 1/16W J	
R198	NRSA63J-471X	MG RESISTOR	470Ω 1/16W J	AR760 J2	R369	NRSA63J-473X	MG RESISTOR	47kΩ 1/16W J	
R241	NRSA63J-473X	MG RESISTOR	47kΩ 1/16W J		R370	NRSA63J-102X	MG RESISTOR	1kΩ 1/16W J	
R242	NRSA63J-223X	MG RESISTOR	22kΩ 1/16W J		R371	NRSA63J-102X	MG RESISTOR	1kΩ 1/16W J	
R243	NRSA63J-184X	MG RESISTOR	180kΩ 1/16W J		R381	NRSA63J-333X	MG RESISTOR	33kΩ 1/16W J	
R244	NRSA63J-123X	MG RESISTOR	12kΩ 1/16W J		R382	NRSA63J-223X	MG RESISTOR	22kΩ 1/16W J	
R245	NRSA63J-470X	MG RESISTOR	47kΩ 1/16W J		R383	NRSA63J-223X	MG RESISTOR	22kΩ 1/16W J	
R246	NRSA63J-102X	MG RESISTOR	1kΩ 1/16W J		R385	NRSA63J-333X	MG RESISTOR	33kΩ 1/16W J	
R247	NRSA63J-124X	MG RESISTOR	120kΩ 1/16W J		R386	NRSA63J-303X	MG RESISTOR	30kΩ 1/16W J	
R248	NRSA63J-221X	MG RESISTOR	220Ω 1/16W J		R387	NRSA63J-303X	MG RESISTOR	30kΩ 1/16W J	
R251	NRSA63J-104X	MG RESISTOR	100kΩ 1/16W J	AR760 J2	R388	NRSA63J-473X	MG RESISTOR	47kΩ 1/16W J	
R252	NRSA63J-473X	MG RESISTOR	47kΩ 1/16W J	AR760 J2	R389	NRSA63J-473X	MG RESISTOR	47kΩ 1/16W J	
R253	NRSA63J-104X	MG RESISTOR	100kΩ 1/16W J	AR760 J2	R390	NRSA63J-102X	MG RESISTOR	1kΩ 1/16W J	
R255	NRSA63J-0R0X	MG RESISTOR	0Ω 1/16W J	AR760 J2	R391	NRSA63J-102X	MG RESISTOR	1kΩ 1/16W J	
R256	NRSA63J-104X	MG RESISTOR	100kΩ 1/16W J	AR760 J2	R701	NRSA63J-473X	MG RESISTOR	47kΩ 1/16W J	
R257	NRSA63J-562X	MG RESISTOR	5.6kΩ 1/16W J	AR760 J2	R711	NRSA63J-473X	MG RESISTOR	47kΩ 1/16W J	
R258	NRSA63J-153X	MG RESISTOR	15kΩ 1/16W J	AR760 J2	R712	NRSA63J-101X	MG RESISTOR	100Ω 1/16W J	
R259	NRSA63J-103X	MG RESISTOR	10kΩ 1/16W J	AR760 J2	R714	NRSA63J-103X	MG RESISTOR	10kΩ 1/16W J	
R260	NRSA63J-473X	MG RESISTOR	47kΩ 1/16W J	AR760 J2	R715	NRSA63J-473X	MG RESISTOR	47kΩ 1/16W J	
R261	NRSA63J-821X	MG RESISTOR	820Ω 1/16W J	AR760 J2	R716	NRSA63J-473X	MG RESISTOR	47kΩ 1/16W J	
R271	NRSA63J-222X	MG RESISTOR	2.2kΩ 1/16W J	AR760 J2	R719	NRSA63J-0R0X	MG RESISTOR	0Ω 1/16W J	
R272	NRSA63J-101X	MG RESISTOR	100Ω 1/16W J	AR760 J2	R721	NRSA63J-102X	MG RESISTOR	1kΩ 1/16W J	
R273	NRSA63J-101X	MG RESISTOR	100Ω 1/16W J	AR760 J2	R722	NRSA63J-103X	MG RESISTOR	10kΩ 1/16W J	
R274	NRSA63J-473X	MG RESISTOR	47kΩ 1/16W J	AR760 J2	R723	NRSA63J-103X	MG RESISTOR	10kΩ 1/16W J	
R275	NRSA63J-105X	MG RESISTOR	1MΩ 1/16W J	AR760 J2	R725	NRSA63J-103X	MG RESISTOR	10kΩ 1/16W J	
R276	NRSA63J-105X	MG RESISTOR	1MΩ 1/16W J	AR760 J2	R726	NRSA63J-103X	MG RESISTOR	10kΩ 1/16W J	
R277	NRSA63J-105X	MG RESISTOR	1MΩ 1/16W J	AR760 J2	R728	NRSA63J-103X	MG RESISTOR	10kΩ 1/16W J	
R278	NRSA63J-105X	MG RESISTOR	1MΩ 1/16W J	AR760 J2	R729	NRSA63J-473X	MG RESISTOR	47kΩ 1/16W J	
R279	NRSA63J-473X	MG RESISTOR	47kΩ 1/16W J	AR760 J2	R732	NRSA63J-103X	MG RESISTOR	10kΩ 1/16W J	
R280	NRSA63J-103X	MG RESISTOR	10kΩ 1/16W J	AR760 J2	R734	NRSA63J-222X	MG RESISTOR	2.2kΩ 1/16W J	
R301	NRSA63J-513X	MG RESISTOR	51kΩ 1/16W J		R735	NRSA63J-222X	MG RESISTOR	2.2kΩ 1/16W J	
R302	NRSA63J-513X	MG RESISTOR	51kΩ 1/16W J		R736	NRSA63J-222X	MG RESISTOR	2.2kΩ 1/16W J	
R305	NRSA63J-512X	MG RESISTOR	5.1kΩ 1/16W J	AR760 J2	R737	NRSA63J-0R0X	MG RESISTOR	0Ω 1/16W J	
R306	NRSA63J-103X	MG RESISTOR	10kΩ 1/16W J	AR760 J2	R738	NRSA63J-472X	MG RESISTOR	4.7kΩ 1/16W J	
R306	NRSA63J-102X	MG RESISTOR	1kΩ 1/16W J	G710 J2	R739	NRSA63J-472X	MG RESISTOR	4.7kΩ 1/16W J	
R311	NRSA63J-513X	MG RESISTOR	51kΩ 1/16W J		R740	NRSA63J-472X	MG RESISTOR	4.7kΩ 1/16W J	
R312	NRSA63J-513X	MG RESISTOR	51kΩ 1/16W J		R741	NRSA63J-103X	MG RESISTOR	10kΩ 1/16W J	
R321	NRSA63J-222X	MG RESISTOR	2.2kΩ 1/16W J		R743	NRSA63J-103X	MG RESISTOR	10kΩ 1/16W J	
R322	NRSA63J-821X	MG RESISTOR	820Ω 1/16W J		R744	NRSA63J-103X	MG RESISTOR	10kΩ 1/16W J	
R323	NRSA63J-101X	MG RESISTOR	100Ω 1/16W J		R745	NRSA63J-103X	MG RESISTOR	10kΩ 1/16W J	
R331	NRSA63J-222X	MG RESISTOR	2.2kΩ 1/16W J		R746	NRSA63J-103X	MG RESISTOR	10kΩ 1/16W J	
R332	NRSA63J-821X	MG RESISTOR	820Ω 1/16W J		R747	NRSA63J-472X	MG RESISTOR	4.7kΩ 1/16W J	
R333	NRSA63J-101X	MG RESISTOR	100Ω 1/16W J		R748	NRSA63J-472X	MG RESISTOR	4.7kΩ 1/16W J	
R341	NRSA63J-222X	MG RESISTOR	2.2kΩ 1/16W J		R749	NRSA63J-472X	MG RESISTOR	4.7kΩ 1/16W J	
R342	NRSA63J-821X	MG RESISTOR	820Ω 1/16W J		R750	NRSA63J-103X	MG RESISTOR	10kΩ 1/16W J	
R343	NRSA63J-101X	MG RESISTOR	100Ω 1/16W J		R751	NRSA63J-103X	MG RESISTOR	10kΩ 1/16W J	
					R752	NRSA63J-0R0X	MG RESISTOR	0Ω 1/16W J	
					R753	NRSA63J-473X	MG RESISTOR	47kΩ 1/16W J	
					R754	NRSA63J-821X	MG RESISTOR	820Ω 1/16W J	
					R755	NRSA63J-106X	MG RESISTOR	10MΩ 1/16W J	
					R756	NRSA63J-473X	MG RESISTOR	47kΩ 1/16W J	
					R757	NRSA63J-222X	MG RESISTOR	2.2kΩ 1/16W J	
					R758	NRSA63J-473X	MG RESISTOR	47kΩ 1/16W J	
					R759	NRSA63J-473X	MG RESISTOR	47kΩ 1/16W J	
					R760	NRSA63J-473X	MG RESISTOR	47kΩ 1/16W J	G710 J2
					R761	NRSA63J-0R0X	MG RESISTOR	0Ω 1/16W J	
					R762	NRSA63J-0R0X	MG RESISTOR	0Ω 1/16W J	
					R763	NRSA63J-103X	MG RESISTOR	10kΩ 1/16W J	
					R764	NRSA63J-103X	MG RESISTOR	10kΩ 1/16W J	
					R765	NRSA63J-103X	MG RESISTOR	10kΩ 1/16W J	
					R769	NRSA63J-473X	MG RESISTOR	47kΩ 1/16W J	AR760 J2
					R770	NRSA63J-473X	MG RESISTOR	47kΩ 1/16W J	G710 J2
					R771	NRSA63J-271X	MG RESISTOR	270Ω 1/16W J	
					R772	NRSA63J-271X	MG RESISTOR	270Ω 1/16W J	
					R773	NRSA63J-224X	MG RESISTOR	220kΩ 1/16W J	
					R774	NRSA63J-224X	MG RESISTOR	220kΩ 1/16W J	
					R775	NRSA63J-224X	MG RESISTOR	220kΩ 1/16W J	

△ Symbol No.	Part No.	Part Name	Description	Local	△ Symbol No.	Part No.	Part Name	Description	Local
R776	NRSA63J-333X	MG RESISTOR	33kΩ 1/16W J	AR760 J2	D601	SML-310LT/MN/-X	LED		
R780	NRSA63J-473X	MG RESISTOR	47kΩ 1/16W J		D602	SML-310VT/JK/-X	LED		
R781	NRSA63J-473X	MG RESISTOR	47kΩ 1/16W J		D603	SML-310VT/JK/-X	LED		
R783	NRSA63J-511X	MG RESISTOR	510Ω 1/16W J		D604	SML-310VT/JK/-X	LED		
R785	NRSA63J-103X	MG RESISTOR	10kΩ 1/16W J		D605	SML-310VT/JK/-X	LED		
R787	NRSA63J-103X	MG RESISTOR	10kΩ 1/16W J		D606	SML-310VT/JK/-X	LED		
R791	NRSA63J-473X	MG RESISTOR	47kΩ 1/16W J		D607	SML-310VT/JK/-X	LED		
R792	NRS181J-0R0X	MG RESISTOR	0Ω 1/8W J		D608	SML-310VT/JK/-X	LED		
R793	NRSA02J-511X	MG RESISTOR	510Ω 1/10W J		D609	SML-310VT/JK/-X	LED		
R794	NRSA02J-511X	MG RESISTOR	510Ω 1/10W J		D610	SML-310VT/JK/-X	LED		
R795	NRSA63J-473X	MG RESISTOR	47kΩ 1/16W J	G710 J2	D611	SML-310VT/JK/-X	LED		
R801	NRSA63J-473X	MG RESISTOR	47kΩ 1/16W J		D612	SML-310VT/JK/-X	LED		
R802	NRSA63J-473X	MG RESISTOR	47kΩ 1/16W J		D613	SML-310VT/JK/-X	LED		
R803	NRSA63J-101X	MG RESISTOR	100Ω 1/16W J		D614	SML-310VT/JK/-X	LED		
R804	NRSA63J-223X	MG RESISTOR	22kΩ 1/16W J		D616	SML-310LT/MN/-X	LED		AR760 J2
R805	NRSA63J-104X	MG RESISTOR	100kΩ 1/16W J						G710 J2
R806	NRSA63J-103X	MG RESISTOR	10kΩ 1/16W J		D616	SML-310VT/JK/-X	LED		
R807	NRSA63J-104X	MG RESISTOR	100kΩ 1/16W J		D617	SML-310VT/JK/-X	LED		
R808	NRSA63J-331X	MG RESISTOR	330Ω 1/16W J		D618	SML-310VT/JK/-X	LED		
R809	NRSA63J-223X	MG RESISTOR	22kΩ 1/16W J		D620	SML-310LT/MN/-X	LED		AR760 J2
R810	NRSA63J-101X	MG RESISTOR	100Ω 1/16W J						G710 J2
R881	NRSA63J-473X	MG RESISTOR	47kΩ 1/16W J		D620	SML-310VT/JK/-X	LED		AR760 J2
R882	NRSA63J-472X	MG RESISTOR	4.7kΩ 1/16W J						AR760 J2
R891	NRSA63J-102X	MG RESISTOR	1kΩ 1/16W J	AR760 J2	D621	SML-310LT/MN/-X	LED		AR760 J2
R892	NRSA63J-473X	MG RESISTOR	47kΩ 1/16W J	AR760 J2	D621	SML-310VT/JK/-X	LED		G710 J2
R901	QRE142J-102X	C RESISTOR	1kΩ 1/4W J		D622	SML-310VT/JK/-X	LED		
R902	NRSA02J-912X	MG RESISTOR	9.1kΩ 1/10W J		D623	SML-310VT/JK/-X	LED		
R903	NRSA02J-472X	MG RESISTOR	4.7kΩ 1/10W J		D631	MA111-X	SI DIODE		AR760 J2
R951	NRSA63J-102X	MG RESISTOR	1kΩ 1/16W J		D632	MA111-X	SI DIODE		AR760 J2
R971	NRS181J-222X	MG RESISTOR	2.2kΩ 1/8W J						
R972	NRS181J-222X	MG RESISTOR	2.2kΩ 1/8W J		D641	NSPW310BS/BRS/	LED		
R976	NRSA02J-273X	MG RESISTOR	27kΩ 1/10W J		D642	NSPW310BS/BRS/	LED		
R977	NRSA02J-123X	MG RESISTOR	12kΩ 1/10W J		D643	NSPW310BS/BRS/	LED		
L1	NQL114M-4R7X	COIL	4.7uH M		D650	MA8091/M/-X	Z DIODE		
L701	NQL114M-4R7X	COIL	4.7uH M		D651	MA8051/M/-X	Z DIODE		
L901	QQR1378-002	COIL			D652	MA111-X	SI DIODE		
CN101	QGB2027M4-22S	CONNECTOR	B-B (1-22)		D653	MA111-X	SI DIODE		
CN161	QGA2006C1-04	CONNECTOR	W-B (1-4)	AR760 J2	D654	MA111-X	SI DIODE		
CN251	QGA2501C1-03	CONNECTOR	W-B (1-3)	AR760 J2	D655	MA111-X	SI DIODE		
CN702	QGF1041C3-16W	CONNECTOR	FFC/FPC (1-16)		D656	MA111-X	SI DIODE		
CN901	QNZ0611-001	16P CONNECTOR			D657	MA111-X	SI DIODE		
CN951	QGA2501F1-02	CONNECTOR	W-B (1-2)		D658	MA111-X	SI DIODE		
CN952	QJB005-040909	SIN ID C-B WIRE			D680	MA8056/M/-X	Z DIODE		
J1	QAM0556-001	ANT CABLE			C601	NBE20JM-475X	TA E CAPACITOR	4.7uF 6.3V M	
J321	QNN0490-001	PIN JACK		AR760 J2	C602	NCS31HJ-681X	C CAPACITOR	680pF 50V J	
J321	QNN0489-001	PIN JACK		G710 J2	C603	NCB31CK-104X	C CAPACITOR	0.1uF 16V K	
J801	QNZ0095-001	CONNECTOR			C604	NCB31CK-104X	C CAPACITOR	0.1uF 16V K	
PP1	QZW0010-001	STYLE PIN			C605	NCB31CK-104X	C CAPACITOR	0.1uF 16V K	
PP5	QZW0010-001	STYLE PIN		AR760 J2	C608	NCB31HK-103X	C CAPACITOR	0.01uF 50V K	
TU1	QAU0223-001	TUNER			C609	NCB31HK-103X	C CAPACITOR	0.01uF 50V K	
X31	QAX0616-001Z	CRYSTAL	10.250MHz		C610	NBE21CM-475X	TA E CAPACITOR	4.7uF 16V M	
X701	QAX0617-001Z	CRYSTAL	12.500MHz		C611	NCB31CK-104X	C CAPACITOR	0.1uF 16V K	
X702	QAX0401-001	CRYSTAL	32.768KHz		C612	NBE20JM-475X	TA E CAPACITOR	4.7uF 6.3V M	
					C680	NBE20JM-475X	TA E CAPACITOR	4.7uF 6.3V M	

Switch board(AR760/G710_J2)

Block No. [0][5]

△ Symbol No.	Part No.	Part Name	Description	Local
IC601	PT6578LQ-L	IC		
IC602	RPM7338-V4	RM.RECEIVER		
Q641	2SB624/4/-X	TRANSISTOR		G710 J2
Q643	UN2211-X	TRANSISTOR		

△ Symbol No.	Part No.	Part Name	Description	Local	△ Symbol No.	Part No.	Part Name	Description	Local
R625	NRSA02J-561X	MG RESISTOR	560Ω 1/10W J		IC573	SN74AHC04PW-X	IC		
R628	NRSA02J-821X	MG RESISTOR	820Ω 1/10W J		IC601	TA2157FN-X	RF AMP IC		
R630	NRSA02J-561X	MG RESISTOR	560Ω 1/10W J		IC621	TC94A14FA	CD LSI IC		
R632	NRSA02J-561X	MG RESISTOR	560Ω 1/10W J		IC651	NJU7772F15-X	IC		
R633	NRSA02J-561X	MG RESISTOR	560Ω 1/10W J		IC652	TC94A34FG-002	IC		
R636	NRSA02J-561X	MG RESISTOR	560Ω 1/10W J		IC681	BA5830FP-X	IC		
R638	NRSA02J-561X	MG RESISTOR	560Ω 1/10W J						
R639	NRSA02J-821X	MG RESISTOR	820Ω 1/10W J		Q501	UN2111-X	TRANSISTOR		
R642	NRSA02J-821X	MG RESISTOR	820Ω 1/10W J		Q502	UN2211-X	TRANSISTOR		
R644	NRSA02J-561X	MG RESISTOR	560Ω 1/10W J		Q571	UN2111-X	TRANSISTOR		
R645	NRSA02J-821X	MG RESISTOR	820Ω 1/10W J		Q572	UN2211-X	TRANSISTOR		
R647	NRSA02J-561X	MG RESISTOR	560Ω 1/10W J		Q573	2SB624/4-X	TRANSISTOR		
R649	NRSA02J-561X	MG RESISTOR	560Ω 1/10W J		Q574	UN2211-X	TRANSISTOR		
R655	NRS181J-431X	MG RESISTOR	430Ω 1/8W J		Q601	2SB1132/QR-W	TRANSISTOR		
R656	NRS181J-431X	MG RESISTOR	430Ω 1/8W J		Q651	2SB624/4-X	TRANSISTOR		
R657	NRS181J-431X	MG RESISTOR	430Ω 1/8W J		Q652	UN2211-X	TRANSISTOR		
R658	NRS181J-471X	MG RESISTOR	470Ω 1/8W J		Q681	2SB1184/QR-X	TRANSISTOR		
R659	NRS181J-473X	MG RESISTOR	47kΩ 1/8W J						
R660	NRS181J-102X	MG RESISTOR	1kΩ 1/8W J		D506	MA111-X	SI DIODE		
R661	NRSA63J-0R0X	MG RESISTOR	0Ω 1/16W J	AR760 J2	D682	1SR154-400-X	DIODE		
R665	NRSA63J-0R0X	MG RESISTOR	0Ω 1/16W J		C501	NCB31HK-103X	C CAPACITOR	0.01uF 50V K	
R668	NRS181J-102X	MG RESISTOR	1kΩ 1/8W J		C502	NCB31HK-103X	C CAPACITOR	0.01uF 50V K	
R669	NRSA63J-221X	MG RESISTOR	220Ω 1/16W J		C503	NEAG0JM-107X	E CAPACITOR	100uF 6.3V M	
R670	NRSA63J-394X	MG RESISTOR	390kΩ 1/16W J		C504	NDC31HJ-220X	C CAPACITOR	22pF 50V J	
R671	NRSA63J-103X	MG RESISTOR	10kΩ 1/16W J		C505	NDC31HJ-220X	C CAPACITOR	22pF 50V J	
R672	NRSA63J-103X	MG RESISTOR	10kΩ 1/16W J		C506	NCB31HK-103X	C CAPACITOR	0.01uF 50V K	
R673	NRSA63J-103X	MG RESISTOR	10kΩ 1/16W J		C507	NCB31HK-103X	C CAPACITOR	0.01uF 50V K	
R674	NRSA63J-103X	MG RESISTOR	10kΩ 1/16W J		C508	NCB31HK-103X	C CAPACITOR	0.01uF 50V K	
R675	NRSA63J-683X	MG RESISTOR	68kΩ 1/16W J		C509	NCB31HK-103X	C CAPACITOR	0.01uF 50V K	
R676	NRSA63J-332X	MG RESISTOR	3.3kΩ 1/16W J		C510	NCB31HK-103X	C CAPACITOR	0.01uF 50V K	
R677	NRSA63J-332X	MG RESISTOR	3.3kΩ 1/16W J		C511	NCB31CK-104X	C CAPACITOR	0.1uF 16V K	
R678	NRSA63J-332X	MG RESISTOR	3.3kΩ 1/16W J		C512	NEAG0JM-107X	E CAPACITOR	100uF 6.3V M	
R679	NRSA63J-151X	MG RESISTOR	150Ω 1/16W J		C513	NCB31HK-103X	C CAPACITOR	0.01uF 50V K	
R680	NRSA63J-103X	MG RESISTOR	10kΩ 1/16W J		C514	NCS31HJ-102X	C CAPACITOR	1000pF 50V J	
R681	NRSA63J-471X	MG RESISTOR	470Ω 1/16W J		C551	NCB31HK-103X	C CAPACITOR	0.01uF 50V K	
R685	NRSA63J-103X	MG RESISTOR	10kΩ 1/16W J		C561	NCB31EK-123X	C CAPACITOR	0.012uF 25V K	
R690	NRSA63J-0R0X	MG RESISTOR	0Ω 1/16W J		C571	NDC31HJ-270X	C CAPACITOR	27pF 50V J	
CN601	NNZ0098-003X	CAR CONNECTOR			C572	NDC31HJ-270X	C CAPACITOR	27pF 50V J	
JS601	QSW0793-001	ROTARY ENCODER			C573	NCB31CK-104X	C CAPACITOR	0.1uF 16V K	
S601	NSW0206-001X	TACT SWITCH			C574	NEAG0JM-107X	E CAPACITOR	100uF 6.3V M	
S602	NSW0206-001X	TACT SWITCH			C575	NEAG0JM-107X	E CAPACITOR	100uF 6.3V M	
S603	NSW0206-001X	TACT SWITCH			C577	NCB31CK-104X	C CAPACITOR	0.1uF 16V K	
S605	NSW0206-001X	TACT SWITCH			C578	NEAG0JM-107X	E CAPACITOR	100uF 6.3V M	
S606	NSW0206-001X	TACT SWITCH			C580	NCB31EK-123X	C CAPACITOR	0.012uF 25V K	
S607	NSW0206-001X	TACT SWITCH			C581	NDC31HJ-101X	C CAPACITOR	100pF 50V J	
S608	NSW0206-001X	TACT SWITCH			C582	NDC31HJ-101X	C CAPACITOR	100pF 50V J	
S609	NSW0206-001X	TACT SWITCH			C583	NCS31HJ-821X	C CAPACITOR	820pF 50V J	
S610	NSW0206-001X	TACT SWITCH			C584	NCS31HJ-821X	C CAPACITOR	820pF 50V J	
S611	NSW0206-001X	TACT SWITCH			C585	NEAG1VM-475X	E CAPACITOR	4.7uF 35V M	
S612	NSW0206-001X	TACT SWITCH			C586	NEAG1VM-475X	E CAPACITOR	4.7uF 35V M	
S613	NSW0206-001X	TACT SWITCH			C587	NDC31HJ-151X	C CAPACITOR	150pF 50V J	
S614	NSW0206-001X	TACT SWITCH			C588	NDC31HJ-151X	C CAPACITOR	150pF 50V J	
S615	NSW0206-001X	TACT SWITCH			C589	NEAG1VM-475X	E CAPACITOR	4.7uF 35V M	
S616	NSW0206-001X	TACT SWITCH			C590	NEAG1VM-475X	E CAPACITOR	4.7uF 35V M	
S617	NSW0206-001X	TACT SWITCH			C591	NEAG0JM-476X	E CAPACITOR	47uF 6.3V M	
S690	NSW0206-001X	TACT SWITCH			C592	NEAG0JM-476X	E CAPACITOR	47uF 6.3V M	
SD601	NSW0218-001X	LUMISWITCH			C593	NEAG1CM-476X	E CAPACITOR	47uF 16V M	
SD602	NSW0218-001X	LUMISWITCH			C594	NCS31HJ-102X	C CAPACITOR	1000pF 50V J	
TH685	NAD0028-103X	N THERMISTOR	10kΩ		C595	NCB31CK-473X	C CAPACITOR	0.047uF 16V K	
					C596	NDC31HJ-101X	C CAPACITOR	100pF 50V J	
					C597	NCS31HJ-102X	C CAPACITOR	1000pF 50V J	
					C598	NCS31HJ-102X	C CAPACITOR	1000pF 50V J	
					C601	NEAG0JM-476X	E CAPACITOR	47uF 6.3V M	
					C602	NCB31HK-103X	C CAPACITOR	0.01uF 50V K	
					C603	NEAG0JM-107X	E CAPACITOR	100uF 6.3V M	
					C604	NCB31HK-103X	C CAPACITOR	0.01uF 50V K	
					C605	NCB31HK-682X	C CAPACITOR	6800pF 50V K	
					C606	NEAG0JM-476X	E CAPACITOR	47uF 6.3V M	
					C607	NCB31HK-103X	C CAPACITOR	0.01uF 50V K	
					C608	NCB31CK-104X	C CAPACITOR	0.1uF 16V K	
					C609	NCB31CK-104X	C CAPACITOR	0.1uF 16V K	
					C610	NDC31HJ-5R0X	C CAPACITOR	5pF 50V J	
					C611	NDC31HJ-680X	C CAPACITOR	68pF 50V J	
					C612	NCB31HK-103X	C CAPACITOR	0.01uF 50V K	
					C613	NCB31HK-103X	C CAPACITOR	0.01uF 50V K	
					C614	NCB31HK-103X	C CAPACITOR	0.01uF 50V K	
					C616	NBE20JM-106X	TA E CAPACITOR	10uF 6.3V M	

CD mechanism control board
(AR760/G710_J2)
Block No. [0][6]

△ Symbol No.	Part No.	Part Name	Description	Local
IC501	TMP91CW12AF5VD9	IC		
IC502	BR24L01AFV-W-X	IC		
IC503	SN74AHCT126PW-X	IC(DIGITAL)		
IC504	NJU7241F33-X	IC		
IC571	PCM1753-X	IC		
IC572	NJM4580V-X	IC		

△ Symbol No.	Part No.	Part Name	Description	Local	△ Symbol No.	Part No.	Part Name	Description	Local
C621	NCB31HK-103X	C CAPACITOR	0.01uF 50V K		R532	NRSA63J-102X	MG RESISTOR	1kΩ 1/16W J	
C622	NEAG0JM-476X	E CAPACITOR	47uF 6.3V M		R533	NRSA63J-101X	MG RESISTOR	100Ω 1/16W J	
C623	NDC31HJ-470X	C CAPACITOR	47pF 50V J		R534	NRSA63J-101X	MG RESISTOR	100Ω 1/16W J	
C624	NCB31HK-153X	C CAPACITOR	0.015uF 50V K		R535	NRSA63J-101X	MG RESISTOR	100Ω 1/16W J	
C625	NCB31HK-103X	C CAPACITOR	0.01uF 50V K		R536	NRSA63J-101X	MG RESISTOR	100Ω 1/16W J	
C626	NCB31HK-272X	C CAPACITOR	2700pF 50V K		R537	NRSA63J-101X	MG RESISTOR	100Ω 1/16W J	
C627	NCB31HK-103X	C CAPACITOR	0.01uF 50V K		R539	NRSA63J-473X	MG RESISTOR	47kΩ 1/16W J	
C628	NEAG0JM-476X	E CAPACITOR	47uF 6.3V M		R540	NRSA63J-473X	MG RESISTOR	47kΩ 1/16W J	
C629	NCB31EK-333X	C CAPACITOR	0.033uF 25V K		R541	NRSA63J-101X	MG RESISTOR	100Ω 1/16W J	
C630	NCB31EK-333X	C CAPACITOR	0.033uF 25V K		R542	NRSA63J-103X	MG RESISTOR	10kΩ 1/16W J	
C631	NDC31HJ-471X	C CAPACITOR	470pF 50V J		R543	NRSA63J-101X	MG RESISTOR	100Ω 1/16W J	
C632	NDC31HJ-471X	C CAPACITOR	470pF 50V J		R544	NRSA63J-101X	MG RESISTOR	100Ω 1/16W J	
C633	NCB31CK-473X	C CAPACITOR	0.047uF 16V K		R545	NRSA63J-103X	MG RESISTOR	10kΩ 1/16W J	
C634	NCB31CK-473X	C CAPACITOR	0.047uF 16V K		R546	NRSA63J-271X	MG RESISTOR	270Ω 1/16W J	
C635	NCB31CK-473X	C CAPACITOR	0.047uF 16V K		R547	NRSA63J-271X	MG RESISTOR	270Ω 1/16W J	
C636	NCB31CK-473X	C CAPACITOR	0.047uF 16V K		R548	NRSA63J-822X	MG RESISTOR	8.2kΩ 1/16W J	
C637	NCB31CK-473X	C CAPACITOR	0.047uF 16V K		R549	NRSA63J-472X	MG RESISTOR	4.7kΩ 1/16W J	
C638	NCB31HK-103X	C CAPACITOR	0.01uF 50V K		R550	NRSA63J-472X	MG RESISTOR	4.7kΩ 1/16W J	
C639	NEAG0JM-476X	E CAPACITOR	47uF 6.3V M		R551	NRSA63J-104X	MG RESISTOR	100kΩ 1/16W J	
C640	NCB31HK-103X	C CAPACITOR	0.01uF 50V K		R552	NRSA63J-104X	MG RESISTOR	100kΩ 1/16W J	
C641	NEAG0JM-476X	E CAPACITOR	47uF 6.3V M		R553	NRSA63J-183X	MG RESISTOR	18kΩ 1/16W J	
C642	NDC31HJ-101X	C CAPACITOR	100pF 50V J		R554	NRSA63J-333X	MG RESISTOR	33kΩ 1/16W J	
C643	NCB31HK-103X	C CAPACITOR	0.01uF 50V K		R555	NRSA63J-101X	MG RESISTOR	100Ω 1/16W J	
C644	NCB31AK-334X	C CAPACITOR	0.33uF 10V K		R556	NRSA63J-0R0X	MG RESISTOR	0Ω 1/16W J	
C645	NEAG0JM-476X	E CAPACITOR	47uF 6.3V M		R557	NRSA63J-104X	MG RESISTOR	100kΩ 1/16W J	
C646	NCB31HK-103X	C CAPACITOR	0.01uF 50V K		R558	NRSA63J-104X	MG RESISTOR	100kΩ 1/16W J	
C651	NEAG0JM-476X	E CAPACITOR	47uF 6.3V M		R559	NRSA63J-0R0X	MG RESISTOR	0Ω 1/16W J	
C652	NCB31HK-103X	C CAPACITOR	0.01uF 50V K		R560	NRSA63J-101X	MG RESISTOR	100Ω 1/16W J	
C653	NEAG0JM-476X	E CAPACITOR	47uF 6.3V M		R561	NRSA63J-104X	MG RESISTOR	100kΩ 1/16W J	
C654	NCB31CK-104X	C CAPACITOR	0.1uF 16V K		R562	NRSA63J-392X	MG RESISTOR	3.9kΩ 1/16W J	
C655	NCB31HK-103X	C CAPACITOR	0.01uF 50V K		R563	NRSA63J-682X	MG RESISTOR	6.8kΩ 1/16W J	
C656	NCB31CK-104X	C CAPACITOR	0.1uF 16V K		R568	NRSA63J-102X	MG RESISTOR	1kΩ 1/16W J	
C659	NCB31CK-104X	C CAPACITOR	0.1uF 16V K		R569	NRSA63J-102X	MG RESISTOR	1kΩ 1/16W J	
C660	NDC31HJ-101X	C CAPACITOR	100pF 50V J		R570	NRSA63J-102X	MG RESISTOR	1kΩ 1/16W J	
C661	NCB31HK-103X	C CAPACITOR	0.01uF 50V K		R572	NRSA63J-225X	MG RESISTOR	2.2MΩ 1/16W J	
C662	NDC31HJ-101X	C CAPACITOR	100pF 50V J		R573	NRSA63J-102X	MG RESISTOR	1kΩ 1/16W J	
C663	NBE20JM-106X	TA E CAPACITOR	10uF 6.3V M		R574	NRSA63J-470X	MG RESISTOR	47Ω 1/16W J	
C664	NCB31HK-222X	C CAPACITOR	2200pF 50V K		R575	NRSA63J-102X	MG RESISTOR	1kΩ 1/16W J	
C665	NCB31CK-104X	C CAPACITOR	0.1uF 16V K		R576	NRSA63J-102X	MG RESISTOR	1kΩ 1/16W J	
C666	NDC31HJ-101X	C CAPACITOR	100pF 50V J		R577	NRSA63J-101X	MG RESISTOR	100Ω 1/16W J	
C667	NCB31HK-103X	C CAPACITOR	0.01uF 50V K		R578	NRSA63J-473X	MG RESISTOR	47kΩ 1/16W J	
C668	NEAG0JM-476X	E CAPACITOR	47uF 6.3V M		R579	NRSA63J-222X	MG RESISTOR	2.2kΩ 1/16W J	
C669	NCB31HK-103X	C CAPACITOR	0.01uF 50V K		R581	NRSA63J-243X	MG RESISTOR	24kΩ 1/16W J	
C682	NEAG1VM-475X	E CAPACITOR	4.7uF 35V M		R582	NRSA63J-243X	MG RESISTOR	24kΩ 1/16W J	
C683	NCB31CK-104X	C CAPACITOR	0.1uF 16V K		R583	NRSA63J-822X	MG RESISTOR	8.2kΩ 1/16W J	
C684	NEAG1CM-476X	E CAPACITOR	47uF 16V M		R584	NRSA63J-822X	MG RESISTOR	8.2kΩ 1/16W J	
C689	NEAG1CM-476X	E CAPACITOR	47uF 16V M		R585	NRSA63J-273X	MG RESISTOR	27kΩ 1/16W J	
C690	NBE20JM-106X	TA E CAPACITOR	10uF 6.3V M		R586	NRSA63J-273X	MG RESISTOR	27kΩ 1/16W J	
C693	NEAG1CM-476X	E CAPACITOR	47uF 16V M		R587	NRSA63J-473X	MG RESISTOR	47kΩ 1/16W J	
					R588	NRSA63J-473X	MG RESISTOR	47kΩ 1/16W J	
R501	NRSA63J-102X	MG RESISTOR	1kΩ 1/16W J		R589	NRSA63J-103X	MG RESISTOR	10kΩ 1/16W J	
R502	NRSA63J-102X	MG RESISTOR	1kΩ 1/16W J		R590	NRSA63J-103X	MG RESISTOR	10kΩ 1/16W J	
R503	NRSA63J-102X	MG RESISTOR	1kΩ 1/16W J		R591	NRSA63J-103X	MG RESISTOR	10kΩ 1/16W J	
R504	NRSA63J-101X	MG RESISTOR	100Ω 1/16W J		R592	NRSA63J-103X	MG RESISTOR	10kΩ 1/16W J	
R505	NRSA63J-101X	MG RESISTOR	100Ω 1/16W J		R593	NRSA63J-4R7X	MG RESISTOR	4.7Ω 1/16W J	
R506	NRSA63J-473X	MG RESISTOR	47kΩ 1/16W J		R594	NRSA63J-470X	MG RESISTOR	47Ω 1/16W J	
R507	NRSA63J-473X	MG RESISTOR	47kΩ 1/16W J		R595	NRSA63J-470X	MG RESISTOR	47Ω 1/16W J	
R508	NRSA63J-473X	MG RESISTOR	47kΩ 1/16W J		R601	NRSA63J-823X	MG RESISTOR	82kΩ 1/16W J	
R509	NRSA63J-473X	MG RESISTOR	47kΩ 1/16W J		R602	NRSA63J-823X	MG RESISTOR	82kΩ 1/16W J	
R510	NRSA63J-101X	MG RESISTOR	100Ω 1/16W J		R603	NRSA63J-334X	MG RESISTOR	330kΩ 1/16W J	
R511	NRSA63J-102X	MG RESISTOR	1kΩ 1/16W J		R604	NRSA63J-334X	MG RESISTOR	330kΩ 1/16W J	
R512	NRSA63J-473X	MG RESISTOR	47kΩ 1/16W J		R605	NRSA63J-220X	MG RESISTOR	22Ω 1/16W J	
R513	NRSA63J-102X	MG RESISTOR	1kΩ 1/16W J		R606	NRSA63J-220X	MG RESISTOR	22Ω 1/16W J	
R514	NRSA63J-473X	MG RESISTOR	47kΩ 1/16W J		R607	NRSA63J-823X	MG RESISTOR	82kΩ 1/16W J	
R515	NRSA63J-473X	MG RESISTOR	47kΩ 1/16W J		R608	NRSA63J-821X	MG RESISTOR	820Ω 1/16W J	
R516	NRSA63J-102X	MG RESISTOR	1kΩ 1/16W J		R609	NRSA63J-563X	MG RESISTOR	56kΩ 1/16W J	
R517	NRSA63J-101X	MG RESISTOR	100Ω 1/16W J		R610	NRSA63J-101X	MG RESISTOR	100Ω 1/16W J	
R518	NRSA63J-101X	MG RESISTOR	100Ω 1/16W J		R611	NRSA63J-103X	MG RESISTOR	10kΩ 1/16W J	
R519	NRSA63J-101X	MG RESISTOR	100Ω 1/16W J		R612	NRSA63J-202X	MG RESISTOR	2kΩ 1/16W J	
R520	NRSA63J-101X	MG RESISTOR	100Ω 1/16W J		R613	NRSA63J-102X	MG RESISTOR	1kΩ 1/16W J	
R521	NRSA63J-101X	MG RESISTOR	100Ω 1/16W J		R614	NRSA63J-153X	MG RESISTOR	15kΩ 1/16W J	
R522	NRSA63J-101X	MG RESISTOR	100Ω 1/16W J		R615	NRSA63J-151X	MG RESISTOR	150Ω 1/16W J	
R523	NRSA63J-101X	MG RESISTOR	100Ω 1/16W J		R616	NRSA63J-103X	MG RESISTOR	10kΩ 1/16W J	
R525	NRSA63J-104X	MG RESISTOR	100kΩ 1/16W J		R621	NRSA63J-470X	MG RESISTOR	47Ω 1/16W J	
R526	NRSA63J-473X	MG RESISTOR	47kΩ 1/16W J		R622	NRSA63J-470X	MG RESISTOR	47Ω 1/16W J	
R528	NRSA63J-473X	MG RESISTOR	47kΩ 1/16W J		R623	NRSA63J-470X	MG RESISTOR	47Ω 1/16W J	
R530	NRSA63J-473X	MG RESISTOR	47kΩ 1/16W J		R624	NRSA63J-562X	MG RESISTOR	5.6kΩ 1/16W J	
R531	NRSA63J-473X	MG RESISTOR	47kΩ 1/16W J		R625	NRSA63J-473X	MG RESISTOR	47kΩ 1/16W J	

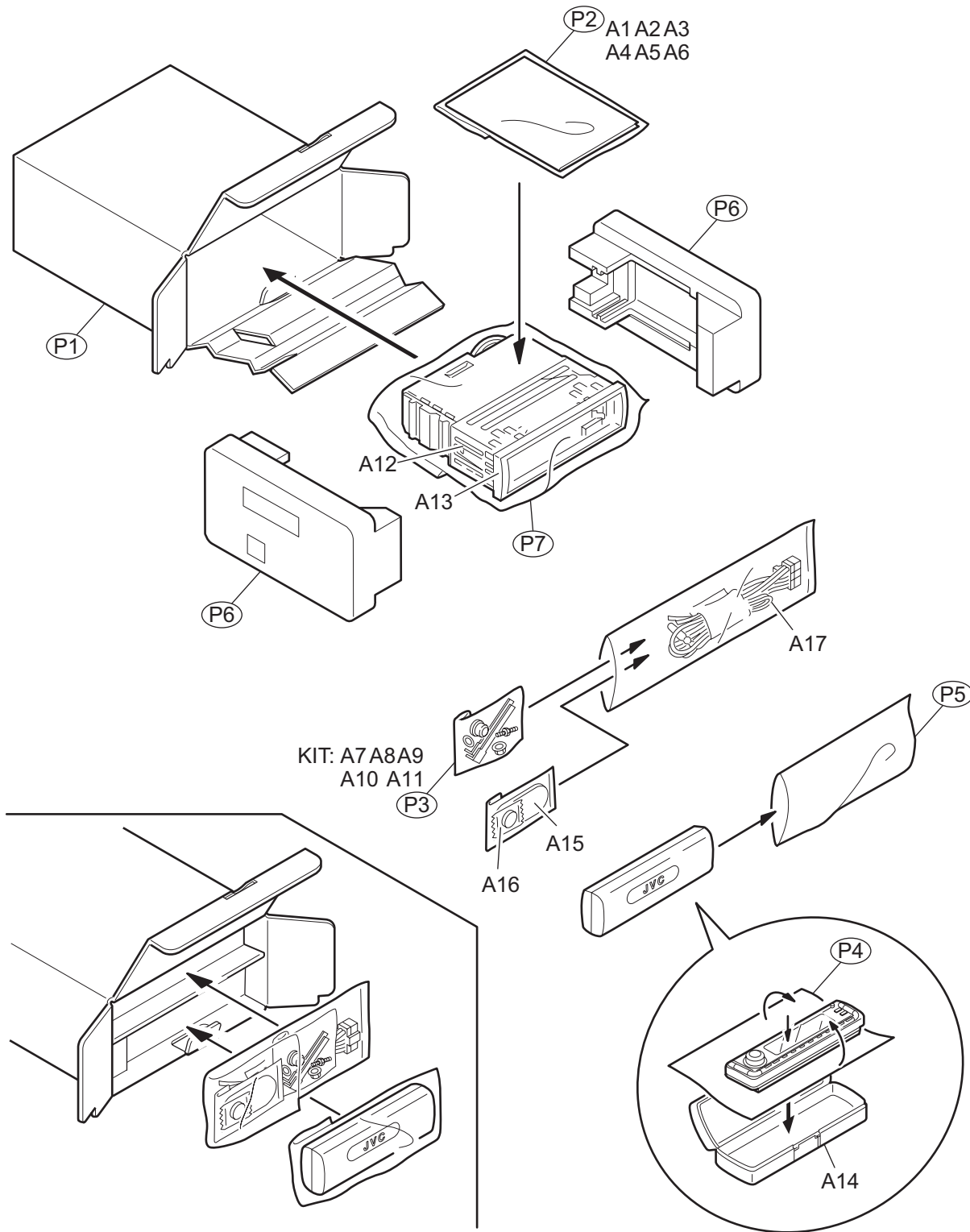
Symbol No.	Part No.	Part Name	Description	Local
R626	NRSA63J-474X	MG RESISTOR	470kΩ 1/16W J	
R627	NRSA63J-153X	MG RESISTOR	15kΩ 1/16W J	
R628	NRSA63J-155X	MG RESISTOR	1.5MΩ 1/16W J	
R629	NRSA63J-103X	MG RESISTOR	10kΩ 1/16W J	
R630	NRSA63J-101X	MG RESISTOR	100Ω 1/16W J	
R631	NRSA63J-101X	MG RESISTOR	100Ω 1/16W J	
R632	NRSA63J-0R0X	MG RESISTOR	0Ω 1/16W J	
R633	NRSA63J-0R0X	MG RESISTOR	0Ω 1/16W J	
R634	NRSA63J-0R0X	MG RESISTOR	0Ω 1/16W J	
R635	NRSA63J-101X	MG RESISTOR	100Ω 1/16W J	
R636	NRSA63J-101X	MG RESISTOR	100Ω 1/16W J	
R637	NRSA63J-105X	MG RESISTOR	1MΩ 1/16W J	
R638	NRSA63J-472X	MG RESISTOR	4.7kΩ 1/16W J	
R639	NRSA63J-472X	MG RESISTOR	4.7kΩ 1/16W J	
R640	NRSA63J-472X	MG RESISTOR	4.7kΩ 1/16W J	
R641	NRSA63J-472X	MG RESISTOR	4.7kΩ 1/16W J	
R642	NRSA63J-103X	MG RESISTOR	10kΩ 1/16W J	
R651	NRSA63J-104X	MG RESISTOR	100kΩ 1/16W J	
R654	NRSA63J-390X	MG RESISTOR	39Ω 1/16W J	
R655	NRSA63J-103X	MG RESISTOR	10kΩ 1/16W J	
R656	NRSA63J-473X	MG RESISTOR	47kΩ 1/16W J	
R657	NRSA63J-222X	MG RESISTOR	2.2kΩ 1/16W J	
R668	NRSA63J-470X	MG RESISTOR	47Ω 1/16W J	
R675	NRSA63J-221X	MG RESISTOR	220Ω 1/16W J	
R681	NRSA63J-682X	MG RESISTOR	6.8kΩ 1/16W J	
R682	NRSA63J-222X	MG RESISTOR	2.2kΩ 1/16W J	
R683	NRSA63J-682X	MG RESISTOR	6.8kΩ 1/16W J	
R684	NRSA63J-822X	MG RESISTOR	8.2kΩ 1/16W J	
R685	NRSA63J-682X	MG RESISTOR	6.8kΩ 1/16W J	
R686	NRSA63J-123X	MG RESISTOR	12kΩ 1/16W J	
R687	NRSA63J-682X	MG RESISTOR	6.8kΩ 1/16W J	
R688	NRSA63J-182X	MG RESISTOR	1.8kΩ 1/16W J	
R689	NRSA63J-123X	MG RESISTOR	12kΩ 1/16W J	
R690	NRSA63J-333X	MG RESISTOR	33kΩ 1/16W J	
R691	NRSA63J-153X	MG RESISTOR	15kΩ 1/16W J	
L501	NQL114K-470X	COIL	47uH K	
L502	NQL114K-470X	COIL	47uH K	
L572	NQL114K-470X	COIL	47uH K	
L621	NQL114K-470X	COIL	47uH K	
L622	NQL114K-470X	COIL	47uH K	
L623	NQL114K-470X	COIL	47uH K	
L651	NQL114K-470X	COIL	47uH K	
L652	NQL114K-470X	COIL	47uH K	
L653	NQL114K-470X	COIL	47uH K	
CN501	QGB2027L1-22X	CONNECTOR	B-B (1-22)	
CN601	QGF0527F2-22W	CONNECTOR	FFC/FPC (1-22)	
TH501	NAD0028-103X	N THERMISTOR	10kΩ	
X501	NAX0385-001X	CRYSTAL	24.576MHz	
X571	NAX0375-001X	CRYSTAL	16.9344MHz	

<MEMO>

Packing materials and accessories parts list

Block No. M 3 M M

No additional / supplemental order of WARRANTY CARDS are available.



Packing and Accessories

Block No. [M][3][M][M]

△ Symbol No.	Part No.	Part Name	Description	Local
A 1	GET0247-001A	INST BOOK	ENG SPA FRE	
A 2	GET0247-002A	INSTALL MANUAL		
A 3	-----	WARRANTY CARD	BT-52006-2	
A 4	BT-51034-2	REGISTRATION CARD		
A 5	LVT0717-001B	TROUBLE SHEET(C		
A 6	-----	WARRANTY CARD	BT-51029-2	AR760J,AR760J2
A 6	-----	WARRANTY CARD	BT-51018-4	G710J,G710J2
A 7	VKZ4027-202	PLUG NUT		
A 8	VKH4871-003	MOUNT BOLT		
A 9	VKZ4328-003	LOCK NUT		
A 10	QYWWS53A008ZA	WASHER	0mm/5.3mm x	
A 11	GE40130-002A	HOOK	(x2)	
A 12	GE20137-003A	MOUNTING SLEEVE		
A 13	GE20164-002A	TRIM PLATE		AR760J,AR760J2
A 13	GE20164-001A	TRIM PLATE		G710J,G710J2
A 14	FSJB3002-30C	HARD CASE		AR760J,AR760J2
A 14	FSJB3002-00C	HARD CASE		G710J,G710J2
A 15	RM-RK50	REMOCON UNIT		
A 16	-----	BATTERY		
A 17	QAM0675-001	16P CORD ASSY		AR760J,AR760J2
A 17	QAM0306-002	16P CORD ASSY		G710J,G710J2
KIT	SRW-385U	SCREW PARTS KIT	A7 A8 A9 A10 A11	
P 1	GE31480-002A	CARTON		AR760J,AR760J2
P 1	GE31477-002A	CARTON		G710J,G710J2
P 2	FSPG4002-001	POLY BAG		
P 3	QPA00801205	POLY BAG	8cm x 12cm	
P 4	FSYH4036-068	SHEET		
P 5	QPA01003003	POLY BAG	10cm x 30cm	
P 6	GE10086-004A	EPS CUSHION	(x2)	
P 7	QPC03004315P	POLY BAG	30cm x 43cm	